

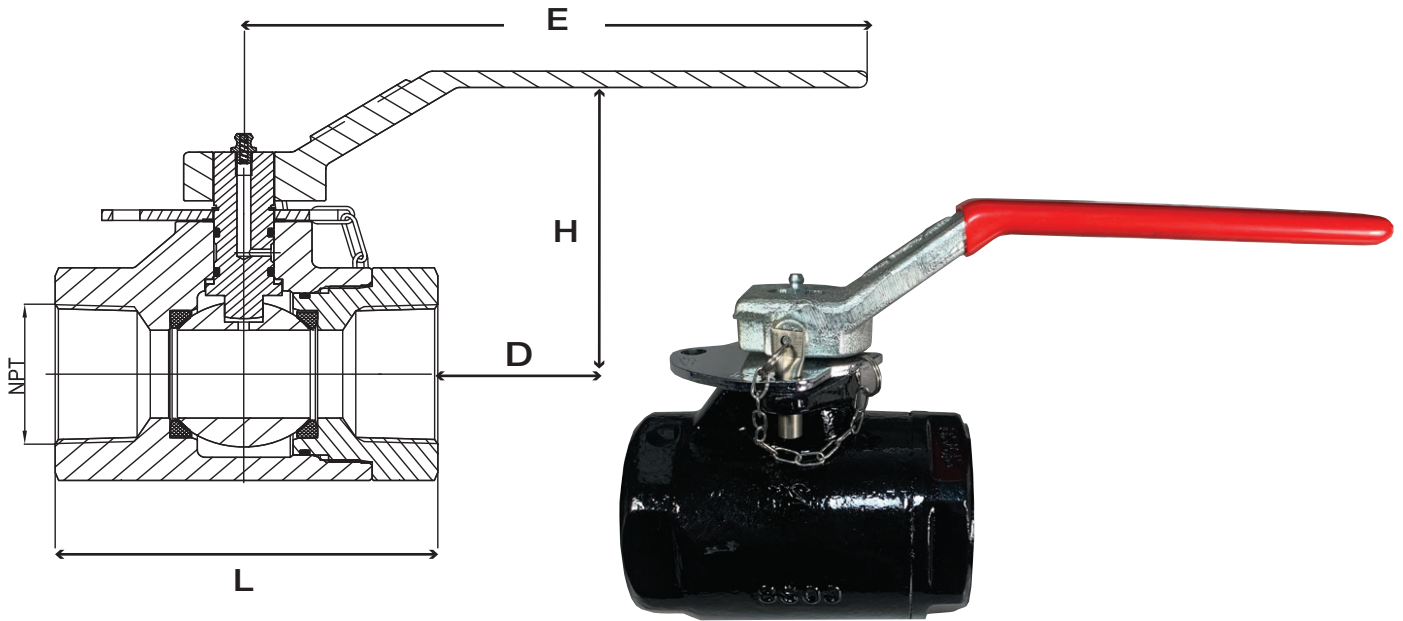
# BALL VALVES

## G-205

2 Piece, 3,000 - 5,000 PSI  
Meets NACE MR-0175



### ORDERING INFO AND DIMENSIONS



### Dimensions

| SIZE | MATERIAL      | PART #   | PRESSURE | PORT    | D     | H     | E     | L     | WGT.(LBS) |
|------|---------------|----------|----------|---------|-------|-------|-------|-------|-----------|
| 1"   | ASTM A216 WCB | VBLV3121 | 3000     | FULL    | 0.98" | 3.66" | 6.63" | 4.02" | 4.7       |
| 2"   |               | VBLV3125 | 3000     | REDUCED | 1.50" | 5.28" | 9.50" | 5.51" | 13.3      |
| 1"   |               | VBLV5111 | 5000     | FULL    | 0.98" | 3.66" | 6.63" | 4.01" | 4.7       |
| 2"   |               | VBLV5120 | 5000     | REDUCED | 1.50" | 5.28" | 9.50" | 5.51" | 13.3      |

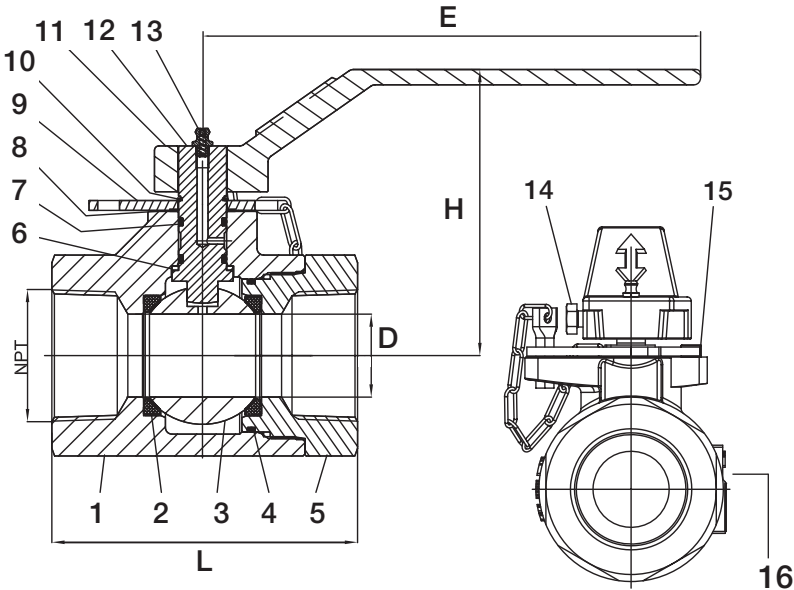
# BALL VALVES

## G-205

2 Piece, 3,000 - 5,000 PSI  
Meets NACE MR-0175



### MATERIAL OF CONSTRUCTION



| #  | DESCRIPTION    | MATERIAL     |
|----|----------------|--------------|
| 1  | Body           | A216 WCB     |
| 2  | Seat           | Delrin       |
| 3  | Ball           | 304 SS       |
| 4  | Seal O-Ring    | Viton        |
| 5  | Cap            | A216 WCB     |
| 6  | Thrust Bearing | PTFE         |
| 7  | Stem O-Ring    | Viton        |
| 8  | Thrust Bearing | PTFE         |
| 9  | Stop Plate     | Steel        |
| 10 | Retainer Ring  | Steel        |
| 11 | Handle         | Ductile Iron |
| 12 | Stem           | A276 420     |
| 13 | Grease Zerk    | Copper       |
| 14 | Bolt           | Carbon Steel |
| 15 | Stop Pin       | Steel        |
| 16 | Nameplates     | Aluminum     |

### Pressure Temperature Rating

