

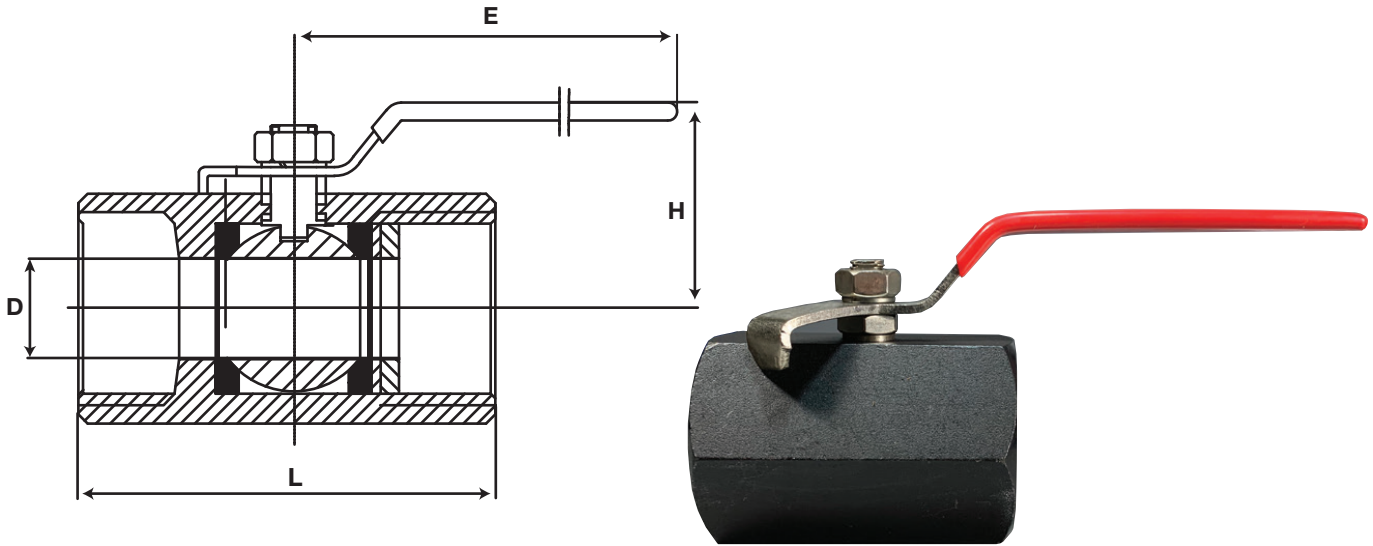
BALL VALVES

G-104

1 Piece, 2,000 PSI
Meets NACE MR-0175



ORDERING INFO AND DIMENSIONS



Dimensions

SIZE	MATERIAL	PART #		PRESSURE	D	H	E	L	WGT. (LBS)
		STANDARD	LOCKING DEVICE						
1/4"	ASTM A105	VBLV1100	VBLV1101	2000	0.20"	1.10"	2.87"	1.69"	0.2
3/8"		VBLV1105	VBLV1106	2000	0.28"	1.26"	3.23"	1.85"	0.4
1/2"		VBLV1110	VBLV1111	2000	0.35"	1.85"	4.61"	2.44"	0.7
3/4"		VBLV1115	VBLV1116	2000	0.49"	2.05"	4.61"	2.76"	1.1
1"		VBLV1120	VBLV1121	2000	0.59"	2.56"	5.12"	3.39"	2.2
1 1/2"		VBLV1122	VBLV1123	2000	0.98"	3.07"	6.18"	4.02"	4.0
2"		VBLV1125	VBLV1126	2000	1.26"	3.54"	6.30"	4.53"	6.6

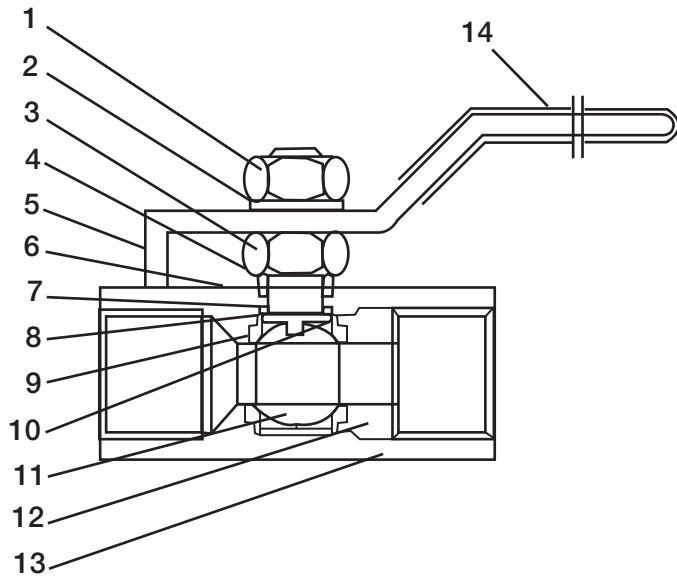
BALL VALVES

G-104

1 Piece, 2,000 PSI
Meets NACE MR-0175



MATERIAL OF CONSTRUCTION



#	DESCRIPTION	MATERIAL
1	Handle Nut	A2-70
2	Washer	SS
3	Stem Nut	SS
4	Gland	SS
5	Handle	SS 201
6	Packing	PTFE
7	Thrust Washer	PTFE
8	Stem	316 SS
9	Ball Seat	RPTFE
10	Cap Seal	RPTFE
11	Ball	A182, F316 SS
12	Inscrewed Seat Retainer	ASTM A105
13	Body	ASTM A105
14	Handle Sleeve	PVC

Pressure Temperature Rating

