

Ball Valves

G-104 1 Piece

G-205 2 Piece

G-212 2 Piece

G-223 2 Piece



GRM Flow Products carry a variety of ball valves to suit your needs. Designed with safety and function in mind, our ball valves come in 1-piece and 2-piece designs which cover both economical and more critical applications.

G-104 1 PIECE A105 HEX BODY

- 2,000 PSI WOG
- Threaded Ends
- Reduced Port
- Locking Device (optional)
- Meets NACE MR-0175



G-205 2 PIECE A216 WCB BODY

- 3,000 - 5,000 PSI WOG
- Threaded Ends
- Reduced Port / Full Port
- Locking Handle
- Meets NACE MR-0175



G-212 2 PIECE DUCTILE IRON A395 BODY

- 2,000 PSI WOG
- Threaded Ends
- Full Port
- Locking Handle
- Meets NACE MR-0175



G-223 2 PIECE A105 BODY

- 3,000 PSI WOG
- Threaded Ends
- Full Port
- Locking Handle
- Meets NACE MR-0175



BALL VALVES

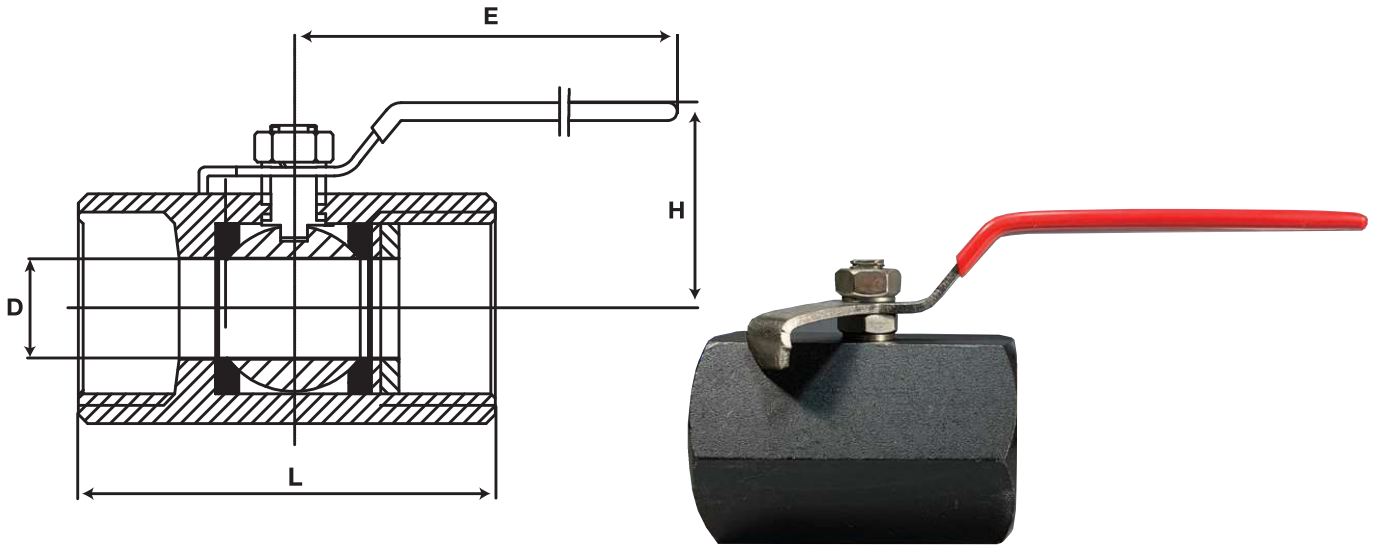
BALL VALVES

G-104

1 Piece, 2,000 PSI
Meets NACE MR-0175



ORDERING INFO AND DIMENSIONS



Dimensions

SIZE	MATERIAL	PART #		PRESSURE	D	H	E	L	WGT. (LBS)
		STANDARD	LOCKING DEVICE						
1/4"	ASTM A105	VBLV1100	VBLV1101	2000	0.20"	1.10"	2.87"	1.69"	0.2
3/8"		VBLV1105	VBLV1106	2000	0.28"	1.26"	3.23"	1.85"	0.4
1/2"		VBLV1110	VBLV1111	2000	0.35"	1.85"	4.61"	2.44"	0.7
3/4"		VBLV1115	VBLV1116	2000	0.49"	2.05"	4.61"	2.76"	1.1
1"		VBLV1120	VBLV1121	2000	0.59"	2.56"	5.12"	3.39"	2.2
1 1/2"		VBLV1122	VBLV1123	2000	0.98"	3.07"	6.18"	4.02"	4.0
2"		VBLV1125	VBLV1126	2000	1.26"	3.54"	6.30"	4.53"	6.6

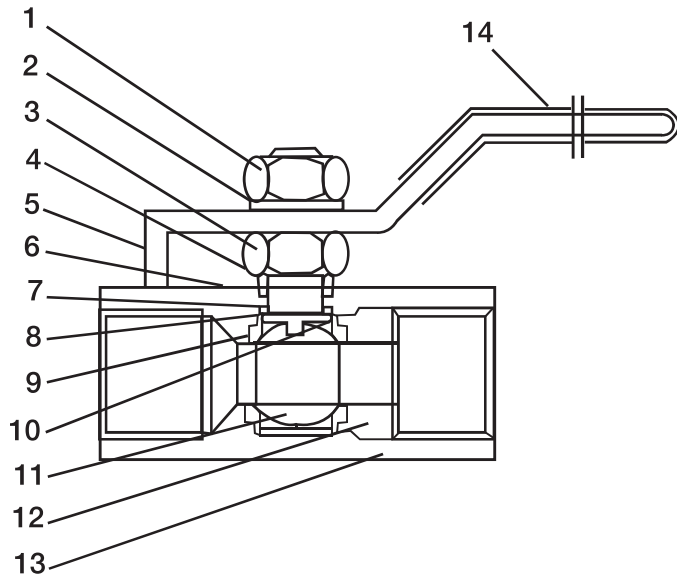
BALL VALVES

G-104

1 Piece, 2,000 PSI
Meets NACE MR-0175

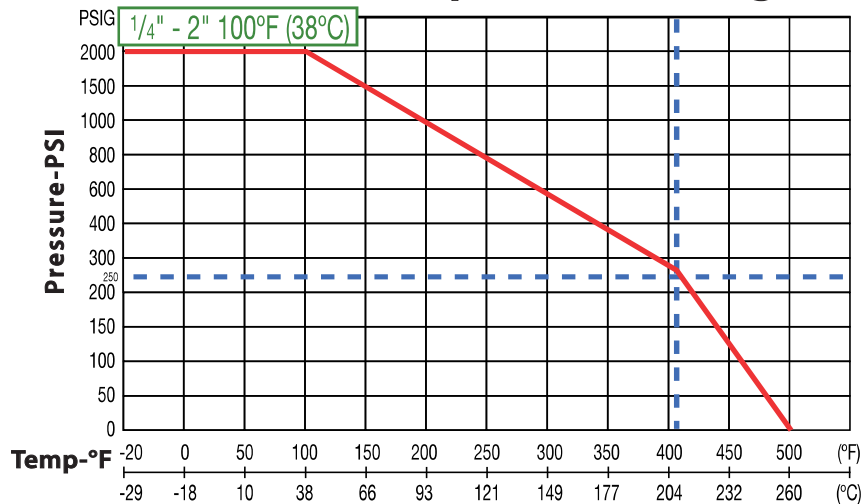


MATERIAL OF CONSTRUCTION



#	DESCRIPTION	MATERIAL
1	Handle Nut	A2-70
2	Washer	SS
3	Stem Nut	SS
4	Gland	SS
5	Handle	SS 201
6	Packing	PTFE
7	Thrust Washer	PTFE
8	Stem	316 SS
9	Ball Seat	RPTFE
10	Cap Seal	RPTFE
11	Ball	A182, F316 SS
12	Inscrewed Seat Retainer	ASTM A105
13	Body	ASTM A105
14	Handle Sleeve	PVC

Pressure Temperature Rating



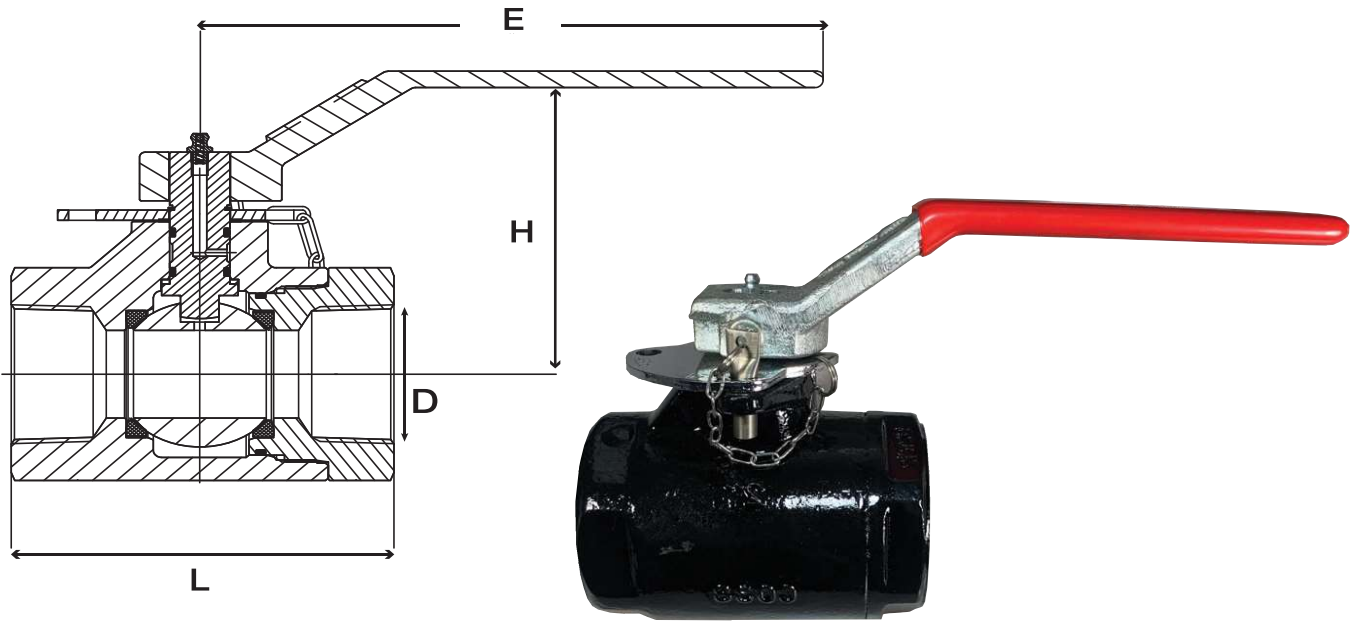
BALL VALVES

G-205

2 Piece, 3,000 - 5,000 PSI
Meets NACE MR-0175



ORDERING INFO AND DIMENSIONS



Dimensions

SIZE	MATERIAL	PART #	PRESSURE	PORT	D	H	E	L	WGT.(LBS)
1"	ASTM A216 WCB	VBLV3121	3000	FULL	0.98"	3.66"	6.63"	4.02"	4.7
2"		VBLV3125	3000	REDUCED	1.50"	5.28"	9.50"	5.51"	13.3
1"		VBLV5111	5000	FULL	0.98"	3.66"	6.63"	4.01"	4.7
2"		VBLV5120	5000	REDUCED	1.50"	5.28"	9.50"	5.51"	13.3

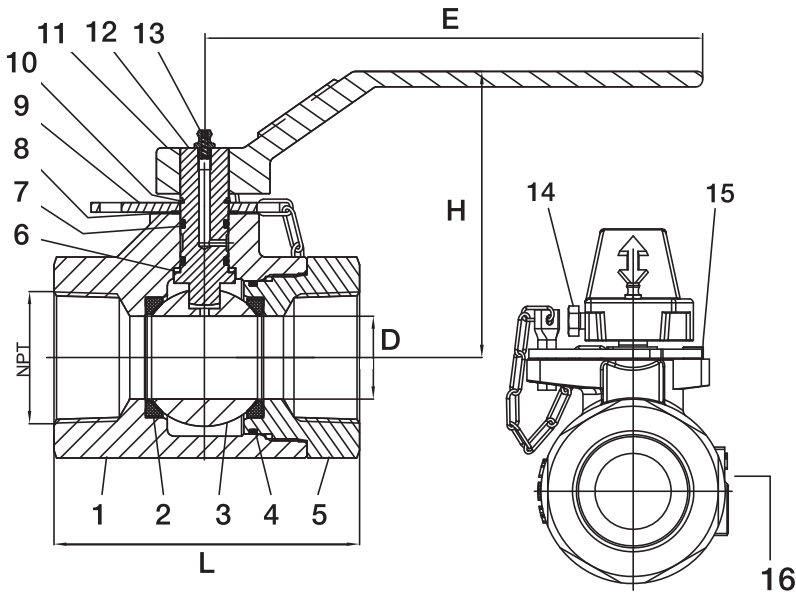
BALL VALVES

G-205

2 Piece, 3,000 - 5,000 PSI
Meets NACE MR-0175

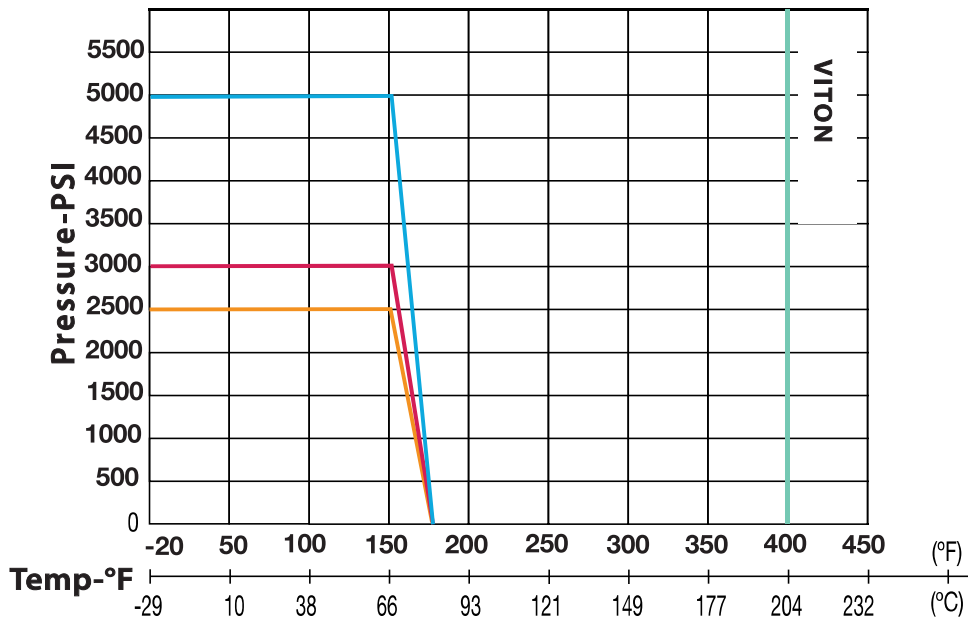


MATERIAL OF CONSTRUCTION



#	DESCRIPTION	MATERIAL
1	Body	A216 WCB
2	Seat	Delrin
3	Ball	304 SS
4	Seal O-Ring	Viton
5	Cap	A216 WCB
6	Thrust Bearing	PTFE
7	Stem O-Ring	Viton
8	Thrust Bearing	PTFE
9	Stop Plate	Steel
10	Retainer Ring	Steel
11	Handle	Ductile Iron
12	Stem	A276 420
13	Grease Zerk	Copper
14	Bolt	Carbon Steel
15	Stop Pin	Steel
16	Nameplates	Aluminum

Pressure Temperature Rating



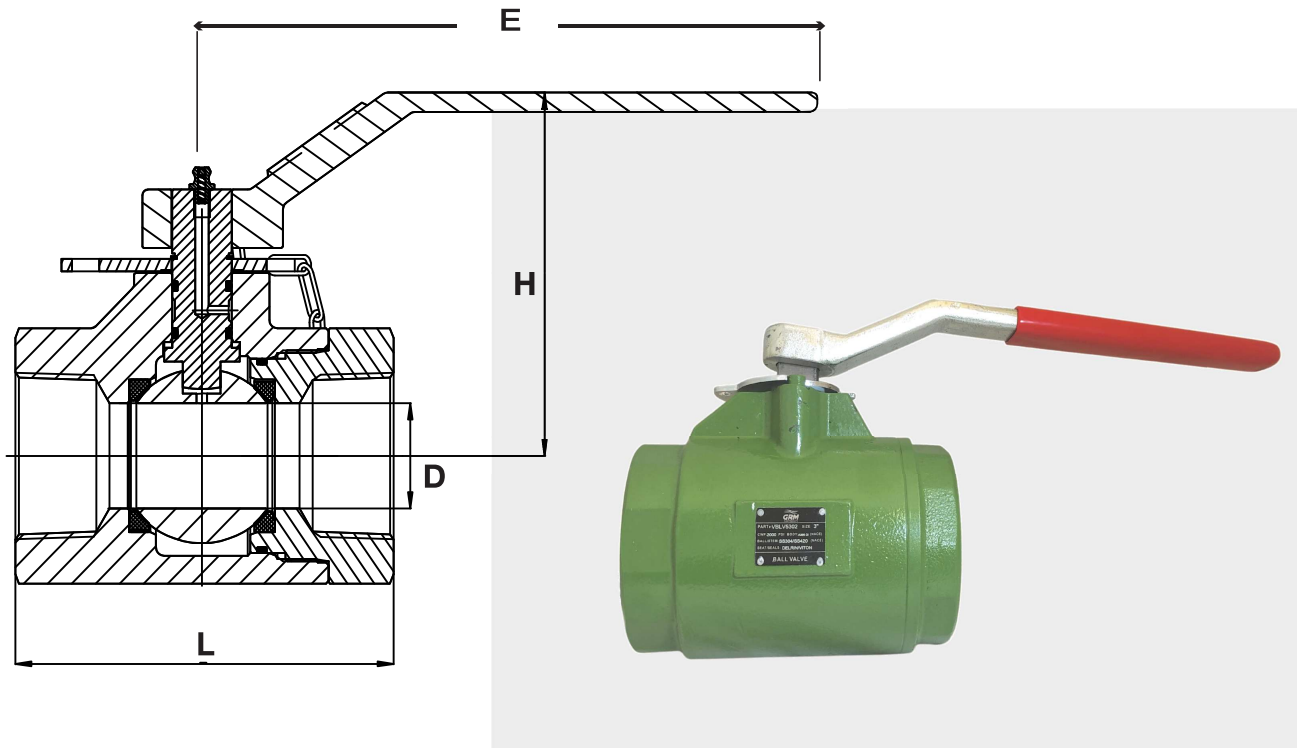
BALL VALVES

G-212

2 Piece, 2,000 PSI
Meets NACE MR-0175



ORDERING INFO AND DIMENSIONS



Dimensions

SIZE	MATERIAL	PART #	PRESSURE	PORT	D	H	E	L	WGT.(LBS)
3"	DUCTILE IRON A395	VBLV5302	2000	FULL	2.99"	6.85"	14.96"	8.74"	44.0

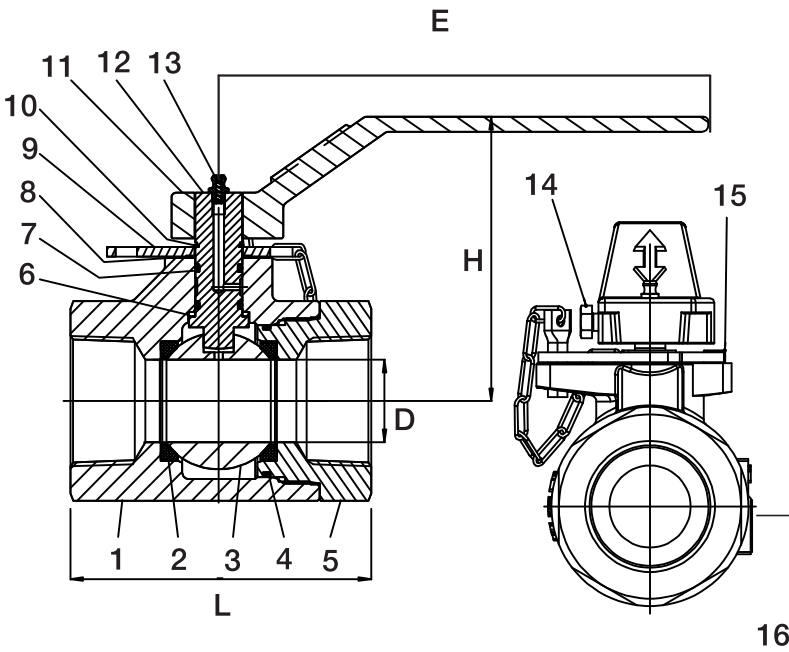
BALL VALVES

G-212

2 Piece, 2,000 PSI
Meets NACE MR-0175

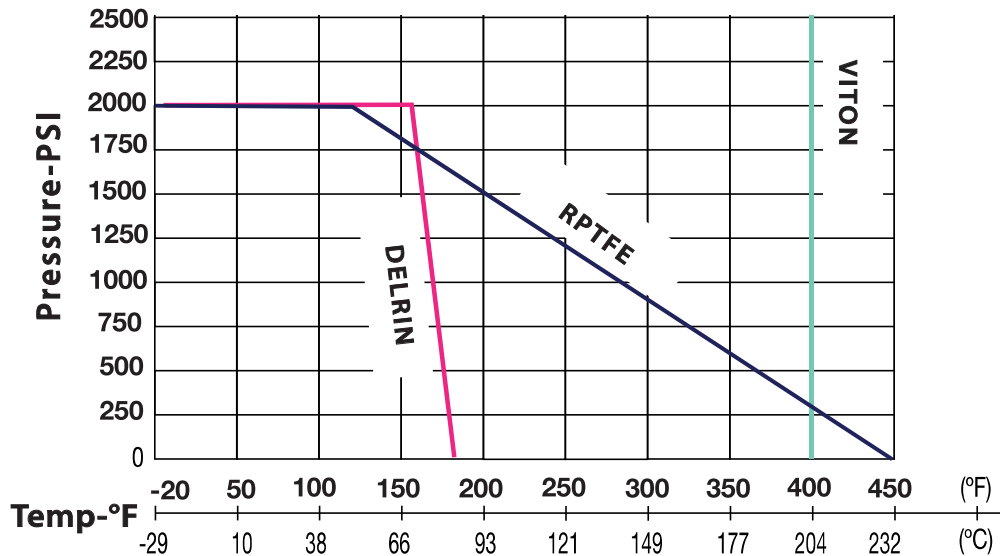


MATERIAL OF CONSTRUCTION



#	DESCRIPTION	MATERIAL
1	Body	Ductile Iron A395
2	Seat	Delrin
3	Ball	304 SS
4	Seal O-Ring	Viton
5	Cap	Ductile Iron A395
6	Thrust Bearing	PTFE
7	Stem O-Ring	Viton
8	Thrust Bearing	PTFE
9	Stop Plate	Steel
10	Retainer Ring	Steel
11	Handle	Ductile Iron
12	Stem	A276 420
13	Grease Zerk	Copper
14	Bolt	Carbon Steel
15	Stop Pin	Steel
16	Nameplates	Aluminum

Pressure Temperature Rating



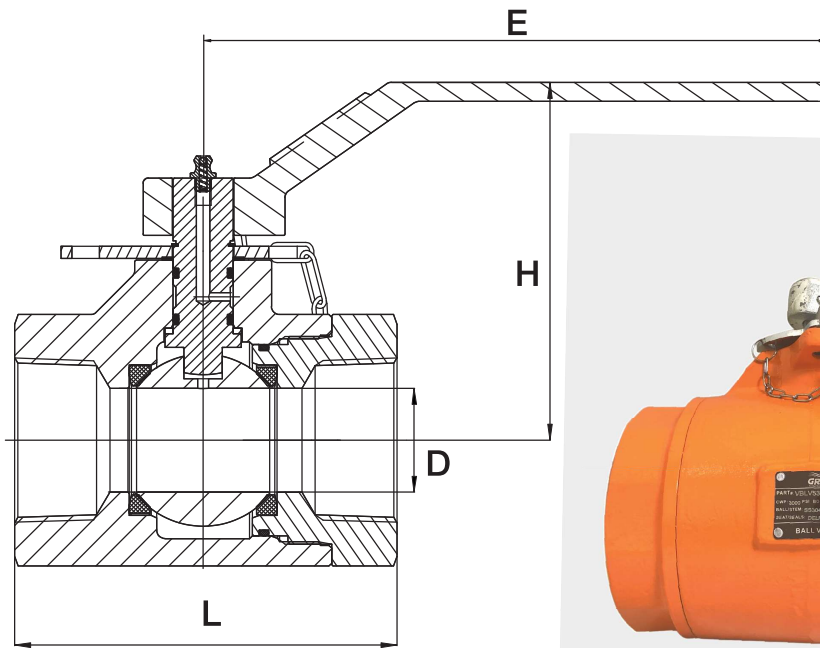
BALL VALVES

G-223

2 Piece, 3,000 PSI
Meets NACE MR-0175



ORDERING INFO AND DIMENSIONS



Dimensions

SIZE	MATERIAL	PART #	PRESSURE	PORT	D	H	E	L	WGT.(LBS)
3"	ASTM A105	VBLV5303	3000	FULL	2.99"	7.24"	14.96"	8.74"	52.8

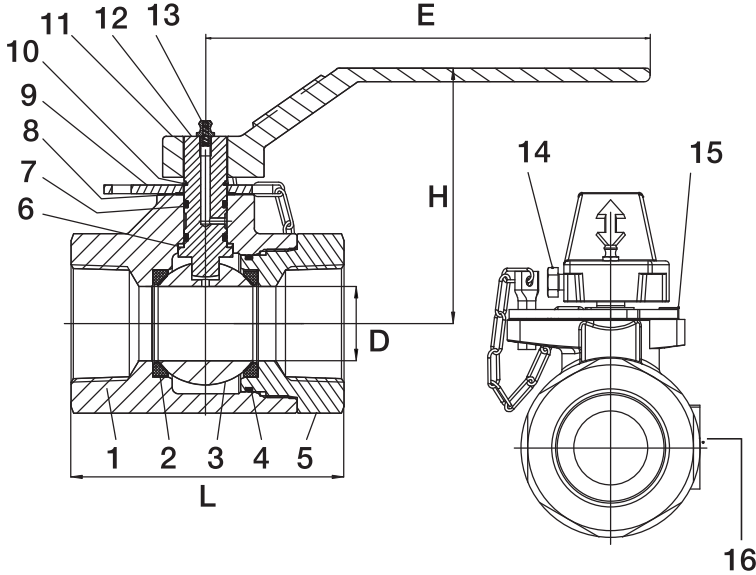
BALL VALVES

G-223

2 Piece, 3,000 PSI
Meets NACE MR-0175



MATERIAL OF CONSTRUCTION



#	DESCRIPTION	MATERIAL
1	Body	ASTM A105
2	Seat	Delrin
3	Ball	304 SS
4	Seal O-Ring	Viton
5	Cap	ASTM A105
6	Thrust Bearing	PTFE
7	Stem O-Ring	Viton
8	Thrust Bearing	PTFE
9	Stop Plate	Steel
10	Retainer Ring	Steel
11	Handle	Ductile Iron
12	Stem	A276 420
13	Grease Zerk	Copper
14	Bolt	Carbon Steel
15	Stop Pin	Steel
16	Nameplates	Aluminum

Pressure Temperature Rating

