

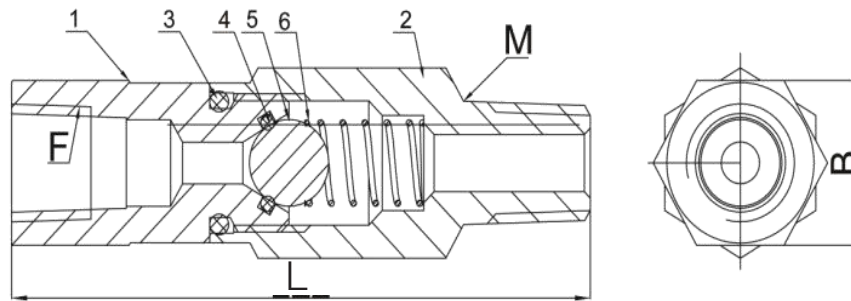
LUBRICATION FITTINGS

Inline Check Valves

6,000 PSI



ORDERING INFO AND SPECIFICATIONS



SIZE	L	B	M X F	PART #
1/4"	2.874	3/4"	1/4" x 1/4"	FIC14520
1/2"	3.000	3/4"	1/2" x 1/2"	FIC12520

PARTS AND MATERIALS

NO.	PARTS	MATERIAL
1	Body Inlet	316SS
2	Body Outlet	316SS
3	O-Ring	Viton
4	O-Ring	Viton
5	Ball	304SS
6	Spring	304SS

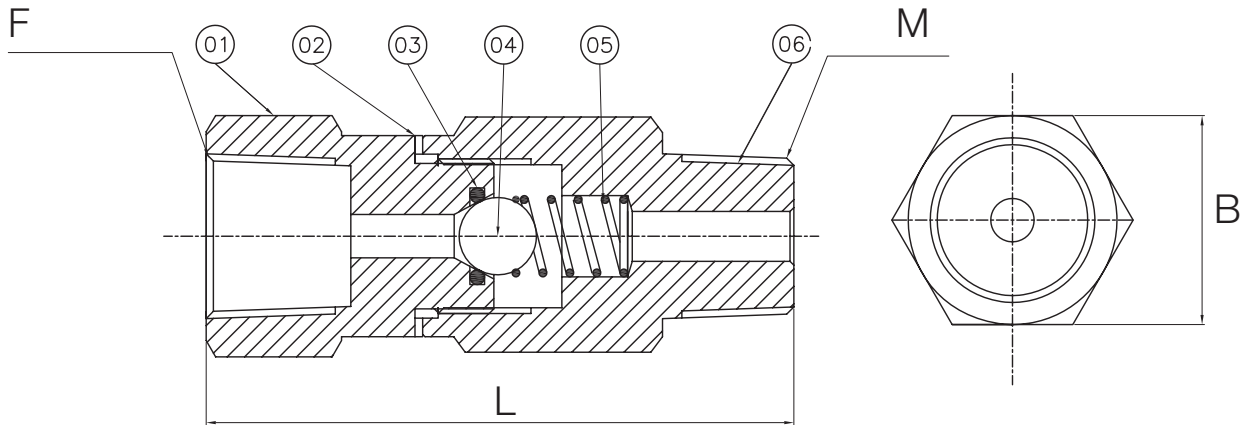
LUBRICATION FITTINGS

Inline Check Valves

10,000 PSI



ORDERING INFO AND SPECIFICATIONS



SIZE	L	B	M X F	PART #
1/4"	2.874	3/4"	1/4" x 1/4"	FIC13520
1/2"	3.000	3/4"	1/2" x 1/2"	FIC15520

PARTS AND MATERIALS

NO.	PARTS	MATERIAL
1	Body	316SS
2	Packing	304SS
3	O-Ring	Viton
4	Check Ball	304SS
5	Spring	304SS
6	Body	316SS