

VALVE LUBRICATION



Lubricants & Sealants | Grease Fittings | SNIPER™ Lubrication Equipment

SNIPER™ LUBRICATION EQUIPMENT

MX Series

Screw-Prime, Hand Held Grease Gun



DESCRIPTION

The MX Series High Pressure Hand Held Grease Guns are heavy-duty, industrial grade and precision-made. Superior performance with cleaners, packing, sealants, and viscous lubricants. Designed to pump “K” size sticks of heavy-duty valve lubricants or injectable packings where pressure of 10,000 PSI could be needed for proper lubrication. Sniper MX Series Handheld Grease Gun assembly also accepts “J” size sticks.

SPECIFICATIONS

Capacity	One “K” or “J” size stick, 12 oz.
Delivery	1 oz. / 15 Strokes
Discharge Pressure	10,000 PSI
Outlet	1/4” NPT
Net Weight	11.5 lbs



ORDERING INFO

	DESCRIPTION	PART #
Screw Prime	with Hose and Coupler	GG155000
	with Hose, Coupler, Adapter Tee and Gauge	GG155001

ADDITIONAL PRODUCTS

DESCRIPTION	PART #
2 1/2” Gauge, 15,000 PSI	GG155305
Adapter Tee	GG155310
Straight Swivel	GG155335
90 Swivel	GG155330
Z Swivel	GG155325

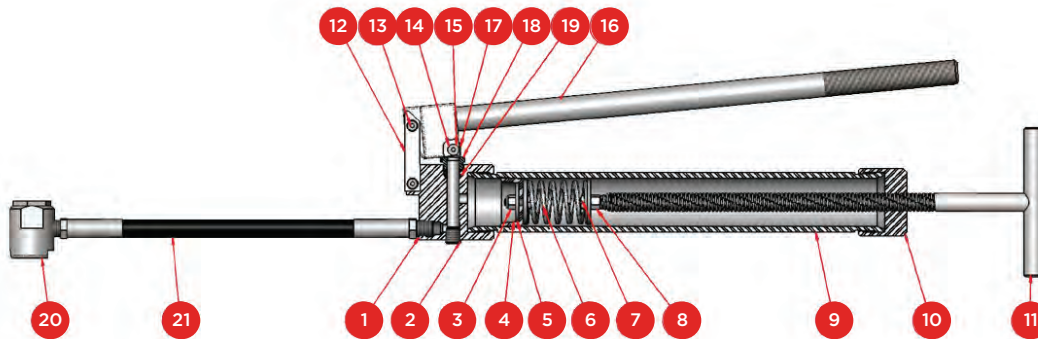
SNIPER™ LUBRICATION EQUIPMENT

MX Series

Screw-Prime, Hand Held Grease Gun



PARTS BREAKDOWN



#	DESCRIPTION	PART #
1	Head	GG155205
2	Pipe Plug, 1/4" NPT	GG155210
3	Nut 1/4" – 28 NF	GG155215
4	Leather Cup	GG155220
5	Washer	GG155225
6	Spring	GG155230
	Spring/Cup Assembly (item 3 to 8)	GG155235
7	Screw 1/4" – 20 NC	GG155232
8	Nut, 1/4" NC-1"	GG155238
9	Barrel	GG155240
10	Barrel Collar	GG155245
11	Screw T Handle	GG155280
12	Link (2 Required)	GG155250
13	Stripper Bolt (2 Required)	GG155290
14	Lock Nut (3 Required)	GG155295
15	Plunger Bolt	GG155300
16	Plunger Handle	GG155320
17	Plunger	GG155285
18	Packing Nut	GG155260
19	Packing (2 Required)	GG155255
20	G. Button Head Coupler	FT706610
21	18" Hose c/w Swivel	GG155318

SNIPER™ LUBRICATION EQUIPMENT**MX Series***Hydraulic, Hand Held Grease Gun*DESCRIPTION

The GRM MX Series High Pressure Hydraulic Hand Held Grease Gun is needed for high pressure applications. Benefits include operating ease and smooth efficiency. Usable in any position, these guns are rugged, long lasting, precision manufactured and are recommended for high temperature and harsh environment services such as steam, hot oil, hot compressed gas, and offshore.

SPECIFICATIONS

Capacity	One "J" size stick, 9.5 oz.
Delivery	1 oz. / 50 Strokes
Discharge Pressure	10,000 PSI
Outlet	1/4" NPT
Net Weight	16 lbs

*18" Swivel Hose & Gauge*ORDERING INFO

DESCRIPTION	PART #
Hydraulic, Hand Held, High Pressure Grease Gun	GG255000
Major Repair Kit	GG255990

ADDITIONAL PRODUCTS

DESCRIPTION	PART #
2 1/2" Gauge, 15,000 PSI	GG155305
Adapter Tee	GG155310
Straight Swivel	GG155335
90 Swivel	GG155330
Z Swivel	GG155325

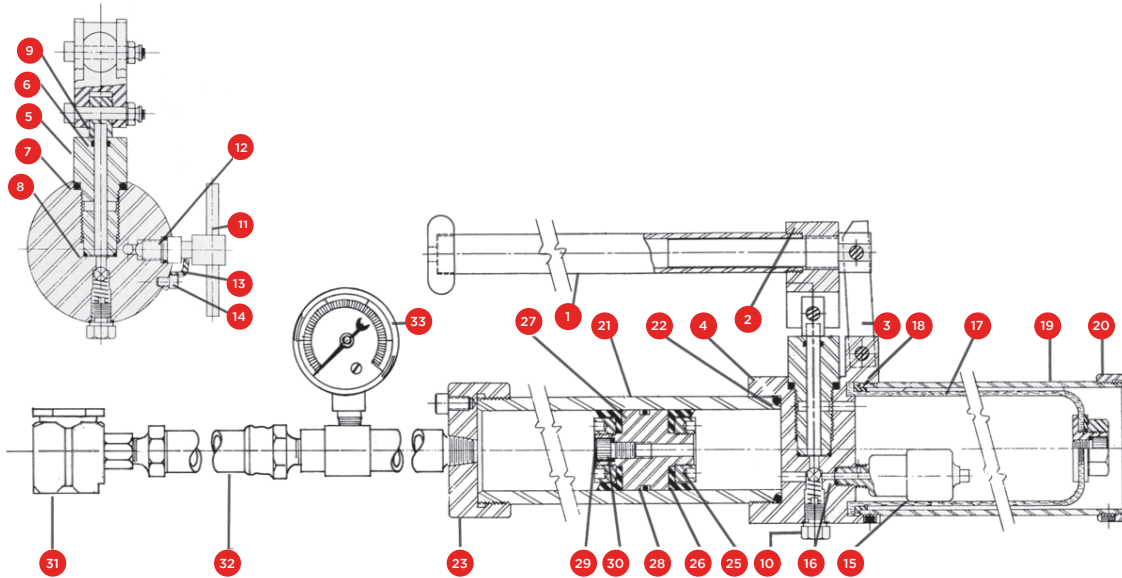
SNIPER™ LUBRICATION EQUIPMENT

MX Series

Hydraulic, Hand Held Grease Gun



PARTS BREAKDOWN



#	DESCRIPTION	PART #
1	Handle with Knob	GG255220
2	Fulcrum Assembly*	GG255225
3	Linkage Assembly	GG255230
4	Body	GG255235
5	Hydraulic Pump Cylinder w/ "O" Ring*	GG255240
6	"O" Ring (Piston Seal)*	GG255245
7	"O" Ring (Top of Pump Cylinder)*	GG255250
8	"O" Ring (Bottom of Pump Cylinder)*	GG255255
9	Pump Piston	GG255260
10	Check Valve Assembly	GG255265
11	By-Pass Valve with "O" Ring	GG255270
12	"O" Ring (By-Pass Valve)*	GG255275
13	By-Pass Valve Stop	GG255280
14	By-Pass Valve Stop Screw	GG255285
15	Internal Relief Valve*	GG255290
16	"O" Ring (By-Pass Valve)*	GG255295

#	DESCRIPTION	PART #
17	Hydraulic Fluid Bag with Bleeder*	GG255300
18	Hydraulic Fluid Bag Seal Ring*	GG255305
19	Hydraulic Fluid Bag Barrel	GG255310
20	Hydraulic Fluid Bag Barrel Cap	GG255315
21	Grease Barrel	GG255320
22	"O" Ring Grease Barrel*	GG255325
23	Grease Barrel Cap	GG255330
24	Piston Assembly	GG255335
25	Washer Nut (2)	GG255340
26	Leather Cup (2)*	GG255345
27	Piston	GG255350
28	"O" Ring (Piston Body)*	GG255355
29	Piston Cap Screw (2)	GG255360
30	"O" Ring (Piston Cap Screw)*	GG255365
31	Giant Button Head Coupler	FT706610
32	Hose with Swivel	GG255375
33	15, 000 PSI Gauge with Adapter	GG255380
34	Plunger	GG255385

*included in repair kit

SNIPER™ LUBRICATION EQUIPMENT**HX Series**

*Hydraulic Foot-Operated,
Injection Grease Gun*

DESCRIPTION

The GG350000 Foot-Operated Hydraulic Injection Gun is a rugged, easy to operate, light-weight unit providing an extremely fast discharge rate. When compressed air is not available, this gun is ideal.

It comes complete with an all aluminum frame, a 10,000 psi hydraulic pump, and a 14oz K-Stick Barrel. This extremely versatile gun works well both on and offshore and is recommended for field, plant, and platform applications. It is designed to pump standard and special materials including highly viscous Desco lubricants, sealants, packing, and cleaners into gate, ball, and plug valves. This gun is adaptable for injecting liquids. The GG350000 is also used for hydrostatic and applied testing on pipelines and wellheads.

SPECIFICATIONS

Capacity	"K" size stick, 12 oz.
Barrel Size	14" NPT(f)
Delivery	12 oz. in 30-60 seconds
Cycle	1 oz. per 12 Strokes
Self Priming Hydraulic Pump	Standard
Discharge Hose Length	6 feet (Standard)
Outlet	Giant Buttonhead Coupler (other outlet sizes available)
Discharge Pressure	10,000 PSI
Net Weight	33 pounds

ORDERING INFO

DESCRIPTION	PART #
Hydraulic Foot-Operated Injection Grease Gun	GG350000
Major Repair Kit	GG350001

SNIPER™ LUBRICATION EQUIPMENT**HX Series**

*Air/Hyd. Foot Controlled,
High Pressure Grease Gun*

DESCRIPTION

The model 355000 Air/Hydraulic Injection Gun is a high-pressure tool that delivers material by the use of compressed air as a power source against pressurized hydraulic fluid.

One end of the Injection Gun is the pump containing hydraulic fluid. The other end of the gun is the grease barrel. The barrel and the pump are separated by the gun body, hose and other components.

During operation, air pressure forces hydraulic fluid from the pump through the hose and body into the space behind the piston located in the grease barrel. The piston pushes the material out through the grease barrel cap. Numerous options are available for grease barrel cap attachments to transmit material to the desired pump, valve or other equipment.

SPECIFICATIONS

Capacity	One "k" size stick, 12 oz.
Air Inlet	1/4" NPT(f)
Delivery	12 oz. in 30-60 seconds
Air Consumption	9 CFM
Self Priming Hydraulic Pump	Standard
Discharge Hose Length	6 feet (Standard)
Outlet	Giant Buttonhead Coupler (other outlet sizes available)
Operating Pressure	80 to 100 PSI (Air supply from plant, tank or portable source)
Net Weight	32 pounds
Discharge Pressure	10,000 PSI

ORDERING INFO

DESCRIPTION	PART #
Air / Hydraulic Injection Grease Gun	GG355000
Minor Repair Kit	GG355100

SNIPER™ LUBRICATION EQUIPMENT**AX Series***Drum Pump, Air, 120 lb & 400 lb*DESCRIPTION

GRM offers a variety of air driven drum pumps to suit your application. The pumps are rugged and precision manufactured to operate with all types of light or heavy material and in hot or cold weather to NLGI-4. All pumps include standard components necessary to start your job immediately.

Optional accessories are available to enhance your SNIPER™ drum pump efficiency.

SPECIFICATIONS

DESCRIPTION	PART #	
	GG716000	GG755000
Capacity	120 lb 16 gallon	400 lb 55 gallon
Air Motor Ratio	100:1	70:1
Air Motor	Alemite	Alemite
MAX. Air Inlet	150 PSI	150 PSI
*Output	15 oz /minute	12 lb /minute
Recommended Air Inlet	100-105 PSI	100-105 PSI
Discharge Pressure	10,000 PSI	7,000 PSI
**Hose Assembly	10 ft	10 ft
Weight	60 lbs	65 lbs



120 lb - GG716000

* Based on MAX. discharge pressure with NLGI-2 lubricant at 25°C

** Hose assembly consists of straight and Z swivel, check valve with pressure release, needle/ball valve, giant button-head coupler, gauge and tee

OPTIONS

- Hoses
- Hoses/coupler
- Z-swivel
- Tees
- Gauge
- Combinations of the above



400 lb - GG755000

SNIPER™ LUBRICATION EQUIPMENT**AX Series***Bucket Pump, Air*DESCRIPTION

SNIPER™ Air Operated Bucket Pumps are needed for high-pressure applications. Benefits include operating ease and smooth efficiency. These pumps are rugged, long lasting, and precision manufactured. These pump's strong spring and follower plate assembly assures positive priming of all types of light or heavy materials in hot or cold weather to NLGI-4.

SPECIFICATIONS

DESCRIPTION	PART #	
	GG455000	GG655000
Air Inlet	1/4" NPSI	1/4" NPSI
Material Outlet	3/8" NPT	3/8" NPT
Air Motor	Alemite	Alemite
Discharge Pressure	15,000 PSI	15,000 PSI
Optimum Operating Pressure	10,500 PSI	10,500 PSI
Piston Diameter x Stroke	2.438" x 1.625"	2.438" x 1.625"
Measurements (Unit Only)	40" x 18"	40" x 24"
Approx. Net Weight	75 lbs	82 lbs



GG455000

GG655000

OPTIONS

- Hoses
- Z-swivel
- Gauge
- Hose/Coupler
- Tees
- Combinations of the above

ORDERING INFO

DESCRIPTION	PART #
10 lb Bucket Pump, Air	GG455000
35-50 lb Bucket Pump, Air	GG655000
Repair Kit	GG716010

SNIPER™ LUBRICATION EQUIPMENT

MX Series

Bucket Pump, Manual



DESCRIPTION

SNIPER™ Manual bucket pumps are needed for high-pressure applications. Benefits include operating ease and smooth efficiency. These pumps are rugged, long lasting, precision manufactured and portable. The pumps' strong spring and follower plate assembly assures positive priming of all types of light or heavy lubricants, sealants, or packing in hot or cold weather and will pump materials to NLGI-4 viscosity.

SPECIFICATIONS

Dual Outlet Pump Connection	1/4" NPSI(f)
Hose Assembly Outlet Connection	Giant Button Head Coupler
Dimensions (L x W x H)	22 x 13 x 18" 56 x 33 x 46cm
Net Weight	24.5 lb / 11.1 kg
Discharge Pressure	15,000 PSI



OPTIONS

- Hoses
- Z-swivel
- Gauge
- Hose/Coupler
- Tees
- Combinations of the above

ORDERING INFO

DESCRIPTION	PART #
Bucket Pump, Manual	GG555000

SNIPER™ LUBRICATION EQUIPMENT**BX Series***Battery Powered Grease Gun*DESCRIPTION

SNIPER BX Series, battery-powered grease gun is designed to dispense petroleum-based greases (NLGI 1/NLGI 2) for general lubrication applications. It features two-speed electronic transmission and a 20 Volt lithium-ion battery and delivers grease at pressures up to 10,000 psi (pounds per square inch) at a rate of 6.0 oz. per minute at a high flow rate setting and 4.0 oz. per minute at a low flow rate setting.

This cordless gun provides maximum power and pressure. It can dispense up to 24 cartridges of grease per charged battery at low speed and up to 23 grease cartridges at high speed. Its fiber-reinforced nylon housing provides for superior impact and wear resistance and its patented airflow management system optimizes motor and transmission life.

SPECIFICATIONS

Application Pressures	Up to 10,000 psi
Low Flow Rate	4.0 oz./min
High Flow Rate	6.0 oz./min
3-Way Loading Cartridge	
Dispenses a Maximum of 24 Cartridges/Battery on Low Flow Settings	

FEATURES & BENEFITS

- Two 20v lithium-ion batteries
- 36" high-pressure whip hose
- Fiber-reinforced nylon housing provides for superior impact and wear resistance
- Two-speed electronic transmission
- 110 V/60 Hz battery charger
- Molded carrying case

ORDERING INFO

DESCRIPTION	PART #
Battery Powered Grease Gun	GG855000

SNIPER™ LUBRICATION EQUIPMENT**Load-Out Kit**FEATURES

- Rugged mil-spec construction
- Sturdy carrying handle
- Heavy duty latch
- Leak resistant seal on lid
- Weight: 13 lbs
- Dimensions (L x W x H): 11" x 6" x 7"

INCLUDED IN THE KIT

DESCRIPTION	PART #
1/2" Body Vent Fitting, Hex Head	FV400510
Leak Lock Fitting f/GBH, Lock-On Style, w/Nylon Poppet	FM357110
Leak Lock Fitting f/SBH, Lock-On Style, w/Nylon Poppet	FM355110
1/4" Body Grease Fitting, Giant Button Head, w/Vented Cap	FB200510
Lube Adapter, 1" - 14 UNS x 1/4" NPT	FT901510
1/4" NPT 10M, FxF, Pipe Coupling	FM200410
1/4" Giant Button Head Fitting, Double Ball	FG200510
Pressure Relief Tool f/1" - 14 UNS Fittings, 1/2" FNPT Vent, Service to 10,000 PSI	FT800510
7/8" Giant Button Head Coupler, 1/4" FNPT Top/Side Entry	FT706610
5/8" Button Head Coupler, 1/8" NPT Side Entry	FT506510
Coupler Adapter, MCE 7/8" - 14 UNF Female x 1" - 14 UNS Male	FT801510
Lube Adapter, CIW 3/4" 16 UNF x 1/4" NPT	FT601510
Lube Adapter, MCE 7/8" 14 UNF x 1/4" NPT	FT701510
Pressure Relief Tool Stinger	FP900610
1/4" Orifice Adapter	FM292010
3/8" Body Grease Fitting, Giant Button Head, w/Vented Cap	FB300510
Pressure Gauge, 2.5" Face, 15,000 PSI, Liquid Filled, Bottom Mount 1/4" NPT	GG155305
Gauge Tee Adapter, 1/4" NPT MxF	GG155310
Thread Sealing Tape, 1/2" x 520'	FT112520
Ammo Box	VBCP500

ORDERING INFO

DESCRIPTION	PART #
Sniper™ Load-Out Kit	FT200020

SNIPER™ LUBRICATION EQUIPMENT

Accessories

Cartridge Loader, Swivels, Gauges/Hoses



CARTRIDGE LOADERS



DESCRIPTION	PART #
Screw Prime Cartridge Loader	GG455415
Hydraulic Hand Held Cartridge Loader	GG455420

SWIVELS



DESCRIPTION	PART #
Z-Type Swivel	GG155325
Straight Swivel	GG155335

GAUGES



DESCRIPTION	PART #
Bottom Mount Gauge	GG155305
Back Mount Gauge	GG155306
Gauge Tee	GG155310

HOSE ASSEMBLY



DESCRIPTION	PART #
Hose Assembly	GG155998