

Additional Valves

Autoclave, Block &

Bleed, Mini,

Multi-Port



GRM offers Needle/Gauge Valves in a variety of connections and pressure ratings.

AUTOCLAVE NEEDLE VALVE

- 9/16" Female x Female
- Working Pressure – 30,000 PSI @ 100° F



Autoclave Needle Valve

BLOCK & BLEED GAUGE VALVE

- Hard seat
- Service to 10,000 PSI @ 100° F
- Male x Female
- Two piece non-rotating stem plug
- 316 Stainless Steel Body
- PTFE stem packing
- Blowout proof stem provides positive back seal in full open position



Block & Bleed Gauge Valve

MINI NEEDLE VALVE

- Male x Female
- Service to 6,000 PSI
- Working temp: -20°F to 200°F



Mini Needle Valve

MULTI-PORT GAUGE VALVE

- Hard seat
- Service to 10,000 PSI @ 100° F
- One 1/2" Male Port & Three 1/2" Female Ports
- Two piece non-rotating stem plug
- 316 Stainless Steel Body
- PTFE stem packing
- Blowout proof stem provides positive back seal In full open position



Multi-Port Gauge Valve

NEEDLE VALVES

NEEDLE VALVES

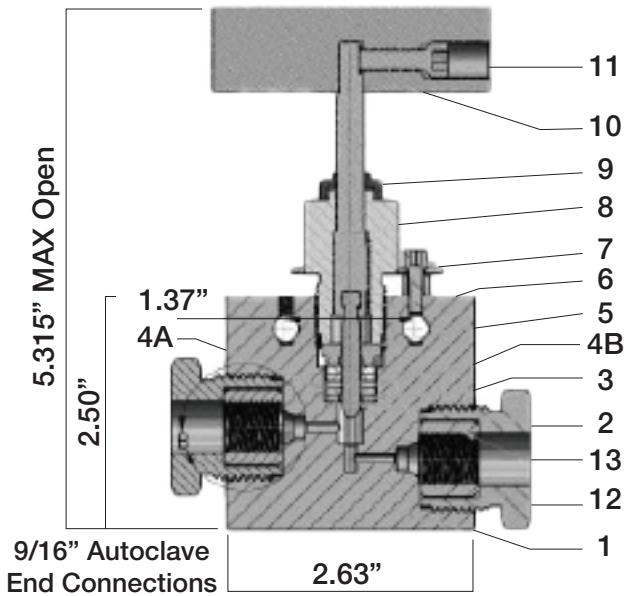
Additional Valves

Autoclave, Block & Bleed, Mini, Multi-Port



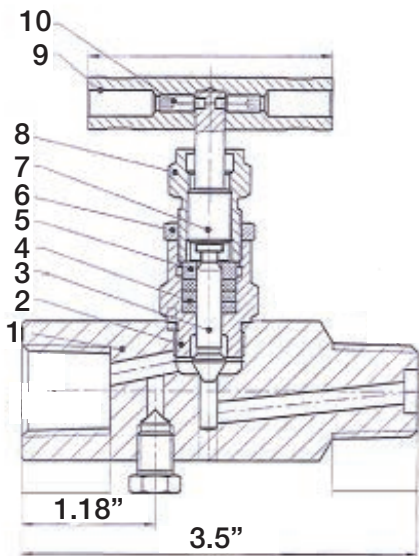
MATERIAL OF CONSTRUCTION

Autoclave Needle Valve



#	DESCRIPTION	MATERIAL
1	Body	ASTM A276 Gr316
2	Lower Stem	17-4PH / SS 316
3	Lower Washer	ASTM A276 Gr316
4a	Packing	GFT / PEEK
4b	Packing	GFT / PEEK
5	Upper Washer	ASTM A276 Gr316
6	Bonnet	ALBr / AB-2
7	Locking Arrangement	SS
8	Upper Stem	ASTM A276 Gr316
9	Dust Cap	PVC
10	Handle	Powder Coated AL
11	Handle Screw	SS
12	Gland	ASTM A276 Gr316
13	Collar	ASTM A276 Gr316

Block & Bleed Gauge Valve



#	DESCRIPTION	MATERIAL
1	Body	316 SS
2	Bonnet	316 SS
3	Lower Stem	316 SS
4	Packing	PTFE
5	Gland	316 SS
6	Lock Nut	316 SS
7	Upper Stem	316 SS
8	Packing Bolt	316 SS
9	Handle	304 SS
10	Set Screw	18-8 SS

NEEDLE VALVES

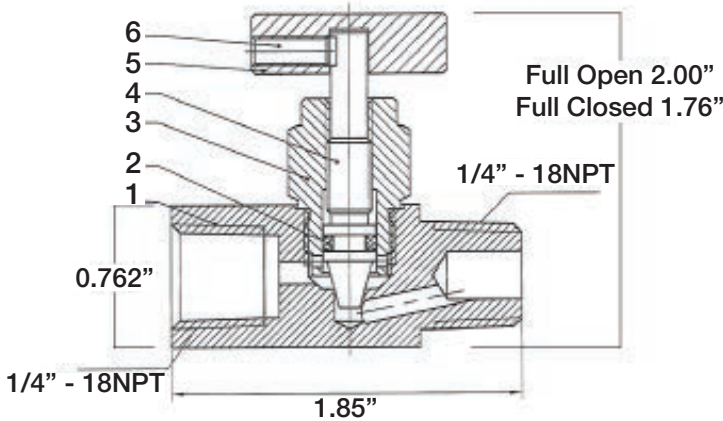
Additional Valves

Autoclave, Block & Bleed, Mini, Multi-Port



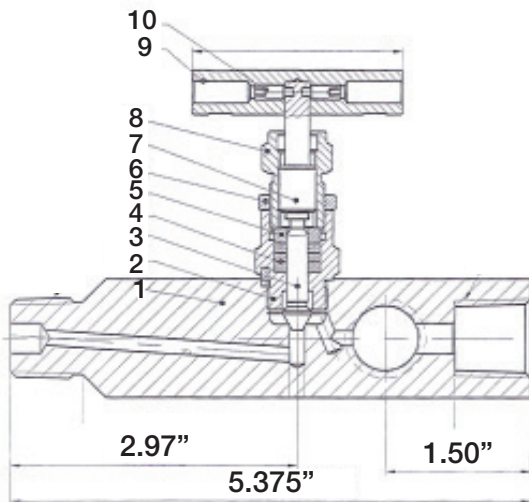
MATERIAL OF CONSTRUCTION

Mini Needle Valve



#	DESCRIPTION	MATERIAL
1	Body	A105
2	O-Ring	Fluorine Rubber
3	Bonnet	A105
4	Stem	316
5	Handwheel	Aluminum
6	Set Screw	Stainless Steel

Multi-Port Needle Valve



#	DESCRIPTION	MATERIAL
1	Body	316 SS
2	Bonnet	316 SS
3	Lower Stem	316 SS
4	Packing	PTFE
5	Gland	316 SS
6	Lock Nut	316 SS
7	Upper Stem	316 SS
8	Packing Bolt	316 SS
9	Handle	304 SS
10	Set Screw	18-8 SS

NEEDLE VALVES

Additional Valves

Autoclave, Block & Bleed, Mini, Multi-Port



ORDERING INFO



Autoclave Needle Valve

SIZE	PART #
9/16"	NV391602



Block & Bleed Gauge Valve

SIZE	PART #
1/2"	NB150002



Mini Needle Valve

SIZE	PART #
1/4"	NV125001M



Multi-Port Gauge Valve

SIZE	PART #
1/2"	NM150002