

# Integral Flow Equipment PLUG VALVES



PERFORMANCE UNDER PRESSURE SINCE 1986

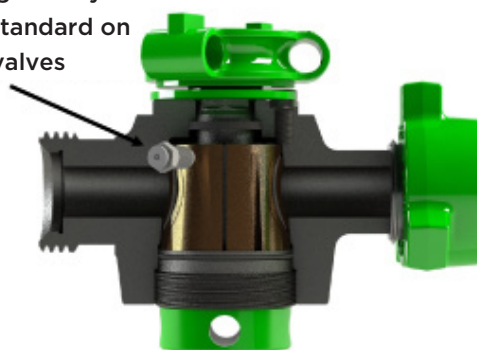
IFE offers all plug valves with the field-proven LT/Lo-Torc design. This robust and reliable design has been the “go to” design for the well testing and flowback market for many years and is the most trusted option.

As an added safety benefit, all grease fittings on our 1502 valves incorporate the safety-vent/relief slot design to protect your personnel.

3” Plug Valves can be supplied with gear operators (from stock) . All plug valves can be ordered with pneumatic or hydraulic actuators, if required.



Pressure-relieving “safety” grease fitting is standard on all 1502 LT plug valves



Size	Fig	NSCWP	Service
2” x 2” - LT	1502	10/15,000 PSI	Std/Sour
3” x 3” - LT	602	6,000 PSI	Std/Sour
	1502	10/15,000 PSI	Std/Sour



All 3” plug valves can be supplied with or without gear operators (9-1/2 turns to open).



Supplying the  
Highest Quality Products  
to the Valve Industry

#310, 8810 - 15 St  
Edmonton, AB | T6P 0B9 | 780.416.4823  
GRMFLOW.COM SALES@GRMFLOW.COM



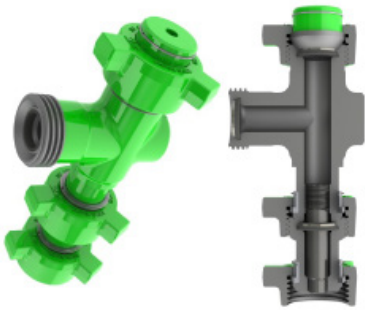
# Integral Flow Equipment CHOKE VALVES



PERFORMANCE UNDER PRESSURE SINCE 1986

IFE offers all choke valves with field-proven designs.

All IFE 2" chokes utilize industry standard FC-140 tungsten carbide (TC) lined beans & N60 3/4" & 1" TC-tipped stems and TC-lined seats. All 2" 1502 chokes utilize the same FC-140 TC beans and seats, as well as TC-tipped "target choke" stems. All 3" chokes utilize CIW H2 profile TC-tipped (and lined) stems, seats and beans. IFE offers an adaptor for these 3" chokes, allowing use of the FC-140 beans in the larger chokes.



2" 1502  
Positive Choke

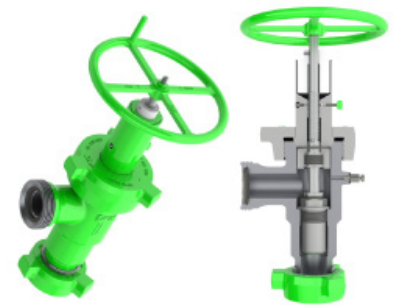


2" 1502  
Adjustable Choke



3" 1502  
Positive Choke

Size	Type	Fig	NSCWP	Service
2"	Positive	602	6,000 PSI	Std/Sour
		1502	10/15,000 PSI	Std/Sour
3"	Positive	602	6,000 PSI	Std/Sour
		1502	10/15,000 PSI	Std/Sour
2" x 3/4" Trim	Adjustable	602	6,000 PSI	Std/Sour
2" x 1" Trim	Adjustable	602	6,000 PSI	Std/Sour
		1502	10/15,000 PSI	Std/Sour
3" x 2" Trim	Adjustable	602	6,000 PSI	Std/Sour
		1502	10/15,000 PSI	Std/Sour



3" 1502  
Adjustable Choke



Supplying the  
Highest Quality Products  
to the Valve Industry

#310, 8810 - 15 St  
Edmonton, AB | T6P 0B9 | 780.416.4823  
GRMFLOW.COM SALES@GRMFLOW.COM

