

LUBRICATION FITTINGS

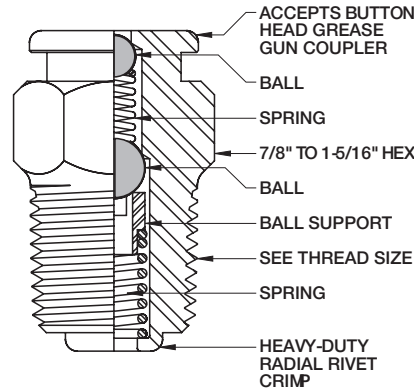
Giant Button Head Fittings

Double Ball

Service to 10,000 PSI



ORDERING INFO AND SPECIFICATIONS



THREAD SIZE	MATERIAL	HEAT TREATMENT	PLATING	SPRING	BALL(S)	PART #
1" NPT	1215*	N/A	Zinc Cobalt	302 SS	CA	FG800510
	316 SS	Annealed (NACE)	N/A	Inconel X750	K-Monel	FG800520
	4140	RC 22 MAX. (NACE)	Zinc Cobalt			FG800530
3/4" NPT	1215*	N/A	Zinc Cobalt	302 SS	CA	FG600510
	316 SS	Annealed (NACE)	N/A	Inconel X750	K-Monel	FG600520
	4140	RC 22 MAX. (NACE)	Zinc Cobalt			FG600530
1/2" NPT	1215*	N/A	Zinc Cobalt	302 SS	CA	FG400510
	316 SS	Annealed (NACE)	N/A	Inconel X750	K-Monel	FG400520
	4140	RC 22 MAX. (NACE)	Zinc Cobalt			FG400530
3/8" NPT	1215*	N/A	Zinc Cobalt	302 SS	CA	FG300510
	316 SS	Annealed (NACE)	N/A	Inconel X750	K-Monel	FG300520
	4140	RC 22 MAX. (NACE)	Zinc Cobalt			FG300530
1/4" NPT	1215*	N/A	Zinc Cobalt	302 SS	CA	FG200510
	316 SS	Annealed (NACE)	N/A	Inconel X750	K-Monel	FG200520
	4140	RC 22 MAX. (NACE)	Zinc Cobalt			FG200530
3/4" 10UNC	1215*	N/A	Zinc Cobalt	302 SS	CA	FG610510
5/8" 11UNC	1215*	N/A	Zinc Cobalt	302 SS	CA	FG510510

*or substitute material which meets or exceeds 1215

LUBRICATION FITTINGS

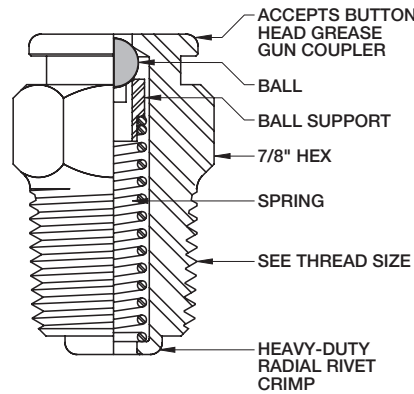
Giant Button Head Fittings

Single Ball

Service to 10,000 PSI



ORDERING INFO AND SPECIFICATIONS



THREAD SIZE	MATERIAL	HEAT TREATMENT	PLATING	SPRING	BALL(S)	PART #
1/2" NPT	1215*	N/A	Zinc Cobalt	302 SS	CA	FG405510
	316 SS	Annealed (NACE)	N/A	Inconel X750	K-Monel	FG405520
	4140	RC 22 MAX. (NACE)	Zinc Cobalt			FG405530
3/8" NPT	1215*	N/A	Zinc Cobalt	302 SS	CA	FG305510
	316 SS	Annealed (NACE)	N/A	Inconel X750	K-Monel	FG305520
	4140	RC 22 MAX. (NACE)	Zinc Cobalt			FG305530
1/4" NPT	1215*	N/A	Zinc Cobalt	302 SS	CA	FG205510
	316 SS	Annealed (NACE)	N/A	Inconel X750	K-Monel	FG205520
	4140	RC 22 MAX. (NACE)	Zinc Cobalt			FG205530
1/8" NPT	1215*	N/A	Zinc Cobalt	302 SS	CA	FG105510
	316 SS	Annealed (NACE)	N/A	Inconel X750	K-Monel	FG105520
	4140	RC 22 MAX. (NACE)	Zinc Cobalt			FG105530

*or substitute material which meets or exceeds 1215