

LUBRICATION FITTINGS

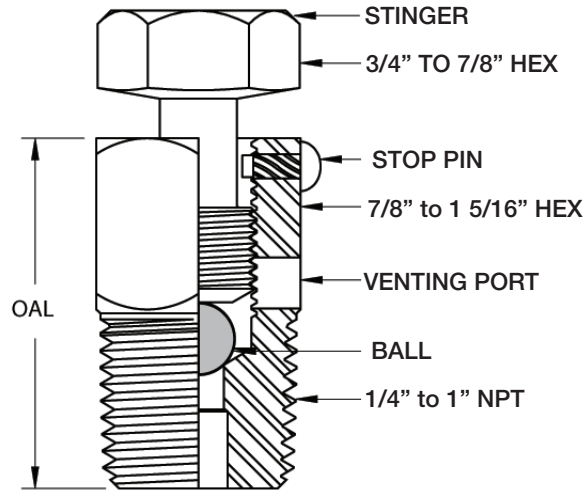
Body Vent Fittings

Hex Head

Service to 10,000 PSI



ORDERING INFO AND SPECIFICATIONS



THREAD SIZE	MATERIAL	HEAT TREATMENT	PLATING	OAL	HEX SIZE	BALL(S)	PART #
1" NPT	1215*	N/A	Zinc x/DC	2 3/16"	1 5/16"	440SS	FV800510
	316 SS	Annealed (NACE)	N/A			TC	FV800520
	4140	Rc 22 MAX. (NACE)	Zinc w/DC			440SS	FV800530
3/4" NPT	1215*	N/A	Zinc x/DC	1 5/8"	1 5/16"	440SS	FV600510
	316 SS	Annealed (NACE)	N/A			TC	FV600520
	4140	Rc 22 MAX. (NACE)	Zinc w/DC			440SS	FV600530
1/2" NPT	1215*	N/A	Zinc x/DC	1 1/2"	7/8"	440SS	FV400510
	316 SS	Annealed (NACE)	N/A			TC	FV400520
	4140	Rc 22 MAX. (NACE)	Zinc w/DC			440SS	FV400530
3/8" NPT	1215*	N/A	Zinc x/DC	1 9/16"	7/8"	440SS	FV300510
	316 SS	Annealed (NACE)	N/A			TC	FV300520
	4140	Rc 22 MAX. (NACE)	Zinc w/DC			440SS	FV300530
1/4" NPT	1215*	N/A	Zinc x/DC	1 5/8"	7/8"	440SS	FV200510
	316 SS	Annealed (NACE)	N/A			TC	FV200520
	4140	Rc 22 MAX. (NACE)	Zinc w/DC			440SS	FV200530

*or substitute material which meets or exceeds 1215

LUBRICATION FITTINGS

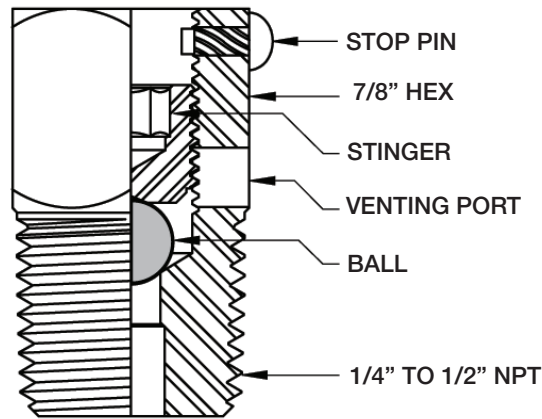
Body Vent Fittings

Hex Socket Head

Service to 10,000 PSI



ORDERING INFO AND SPECIFICATIONS



THREAD SIZE	MATERIAL	HEAT TREATMENT	PLATING	OAL	HEX SIZE	BALL(S)	PART #
1/2" NPT	1215*	N/A	Zinc x/DC	1 1/2"	7/8"	440SS	FV401510
	316 SS	Annealed (NACE)	N/A			TC	FV401520
	4140	Rc 22 MAX. (NACE)	Zinc w/DC			TC	FV401530
3/8" NPT	1215*	N/A	Zinc x/DC	1 9/16"	7/8"	440SS	FV301510
	316 SS	Annealed (NACE)	N/A			TC	FV301520
	4140	Rc 22 MAX. (NACE)	Zinc w/DC			TC	FV301530
1/4" NPT	1215*	N/A	Zinc x/DC	1 5/8"	7/8"	440SS	FV201510
	316 SS	Annealed (NACE)	N/A			TC	FV201520
	4140	Rc 22 MAX. (NACE)	Zinc w/DC			TC	FV201530

**or substitute material which meets or exceeds 1215*