

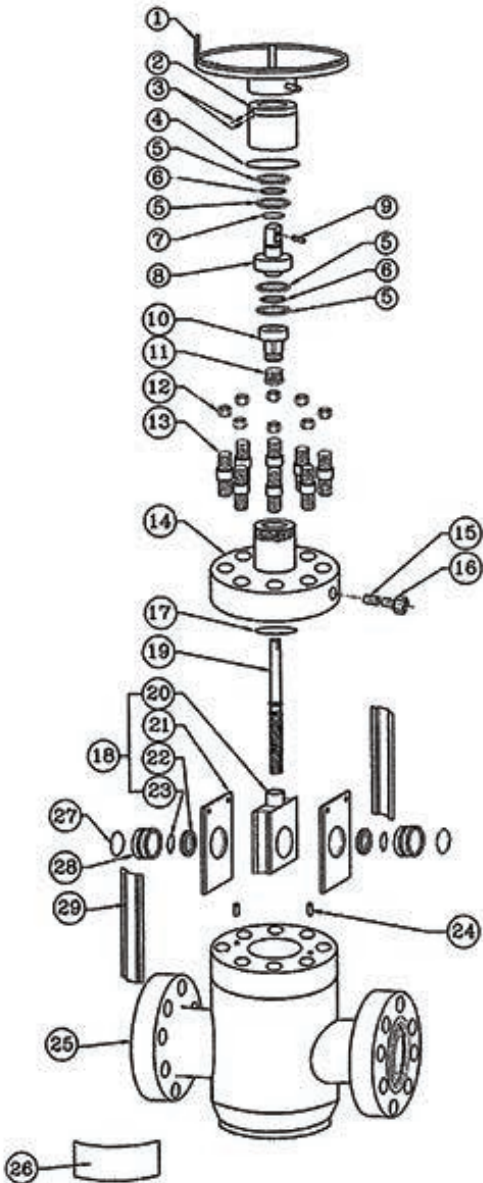
# API GATE VALVE PARTS

## Model F/FC

Manual



2 1/16" 5,000 - 15,000 PSI



| #  | DESCRIPTION           | QTY | MATERIAL        | PART #   |
|----|-----------------------|-----|-----------------|----------|
| 1  | Handwheel             | 1   | -               | VCIW2550 |
| 2  | Bearing Cap           | 1   | Alloy           | VCIW1845 |
| 3  | Grease Fitting        | 2   | Zinc Plated     | VCIW1940 |
| 4  | O-Ring                | 1   | Nitrile 70D     | VCIW2000 |
| 5  | Bearing Race          | 4   | Alloy           | VCIW2060 |
| 6  | Bearing               | 2   | Alloy           | VCIW2040 |
| 7  | O-Ring (Stem Adapter) | 1   | Nitrile 70D     | VCIW2020 |
| 8  | Stem Adapter          | 1   | Alloy           | VCIW1840 |
| 9  | Stem Pin              | 1   | 1045 CS         | VCIW2080 |
| 10 | Packing Gland         | 1   | Alloy           | VCIW1860 |
| 11 | Stem Packing          | 1   | PTFE/BUNA       | VCIW1000 |
| 12 | Nut                   | 8   | -               | POR      |
| 13 | Stud                  | 8   | -               | POR      |
| 14 | Bonnet                | 1   | -               | POR      |
| 15 | Check Valve           | 1   | 316 SS          | FI207620 |
| 16 | Grease Fitting        | 1   | 316 SS          | FA400520 |
| 17 | Bonnet Gasket 5K      | 1   | 304 SS          | VCIW1420 |
|    | Bonnet Gasket 10/15K  |     | 316 SS          | VCIW1491 |
| 18 | Gate/Seat Assembly    | 1   | -               | POR      |
| 19 | Stem                  | 1   | 17-4 SS         | VCIW1598 |
|    |                       |     | 4130 Nitrided   | VCIW1060 |
|    |                       |     | 410 SS Nitrided | VCIW1172 |
| 20 | Gate                  | 1   | 4130 HF#5       | VCIW1120 |
|    |                       |     | Retainer Plate  | 2        |
| 22 | Seat                  | 2   | Stellite™ #6    | VCIW1280 |
| 23 | Seat Seal             | 2   | GF/PTFE         | VCIW1195 |
| 24 | Pin                   | 2   | -               | POR      |
| 25 | Body                  | 1   | -               | POR      |
| 26 | Name Plate            | 1   | -               | POR      |
| 27 | Body Bushing Seal     | 2   | GF/PTFE         | VCIW1760 |
| 28 | Body Bushing          | 2   | 410 SS          | VCIW1660 |
| 29 | Gate Guide            | 2   | 304 SS          | VCIW1880 |

\*POR = price on request, please call for more info.

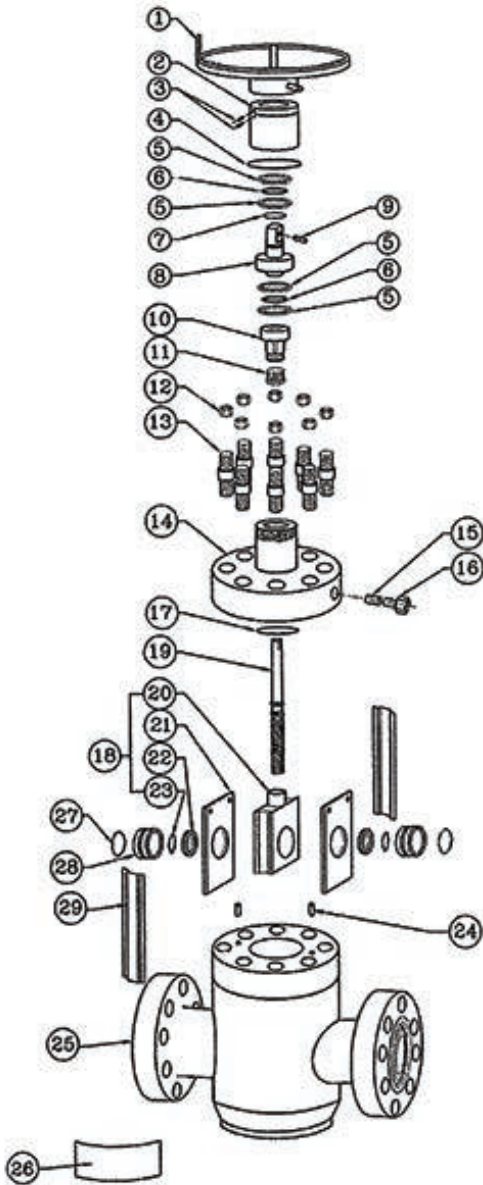
# API GATE VALVE PARTS

## Model F/FC

Manual



2 9/16" 5,000 - 10,000 PSI



| #  | DESCRIPTION           | QTY | MATERIAL        | PART #   |
|----|-----------------------|-----|-----------------|----------|
| 1  | Handwheel             | 1   | -               | POR      |
| 2  | Bearing Cap           | 1   | Alloy           | VCIW1845 |
| 3  | Grease Fitting        | 2   | Zinc Plated     | VCIW1940 |
| 4  | O-Ring                | 1   | Nitrile 70D     | VCIW2000 |
| 5  | Bearing Race          | 4   | Alloy           | VCIW2060 |
| 6  | Bearing               | 2   | Alloy           | VCIW2040 |
| 7  | O-Ring (Stem Adapter) | 1   | Nitrile 70D     | VCIW2020 |
| 8  | Stem Adapter          | 1   | Alloy           | VCIW1840 |
| 9  | Stem Pin              | 1   | 1045 CS         | VCIW2080 |
| 10 | Packing Gland         | 1   | Alloy           | VCIW1860 |
| 11 | Stem Packing          | 1   | PTFE/BUNA       | VCIW1000 |
| 12 | Nut                   | 8   | -               | POR      |
| 13 | Stud                  | 8   | -               | POR      |
| 14 | Bonnet                | 1   | -               | POR      |
| 15 | Check Valve           | 1   | 316 SS          | FI207620 |
| 16 | Grease Fitting        | 1   | 316 SS          | FA400520 |
| 17 | Bonnet Gasket 5K      | 1   | 304 SS          | VCIW1440 |
|    | Bonnet Gasket 10K     |     | 316 SS          | VCIW1492 |
| 18 | Gate/Seat Assembly    | 1   | -               | POR      |
| 19 | Stem                  | 1   | 17-4 SS         | VCIW1600 |
|    |                       |     | 4130 Nitrided   | VCIW1080 |
|    |                       |     | 410 SS Nitrided | VCIW1174 |
| 20 | Gate                  | 1   | 4130 HF#5       | VCIW1140 |
|    |                       |     |                 |          |
| 21 | Retainer Plate        | 2   | 1018 CS         | VCIW1520 |
| 22 | Seat                  | 2   | Stellite™ #6    | VCIW1300 |
| 23 | Seat Seal             | 2   | GF/PTFE         | VCIW1200 |
| 24 | Pin                   | 2   | -               | POR      |
| 25 | Body                  | 1   | -               | POR      |
| 26 | Name Plate            | 1   | -               | N/A      |
| 27 | Body Bushing Seal     | 2   | GF/PTFE         | VCIW1780 |
| 28 | Body Bushing          | 2   | 410 SS          | VCIW1680 |
| 29 | Gate Guide            | 2   | 304 SS          | VCIW1900 |

\*POR = price on request, please call for more info.

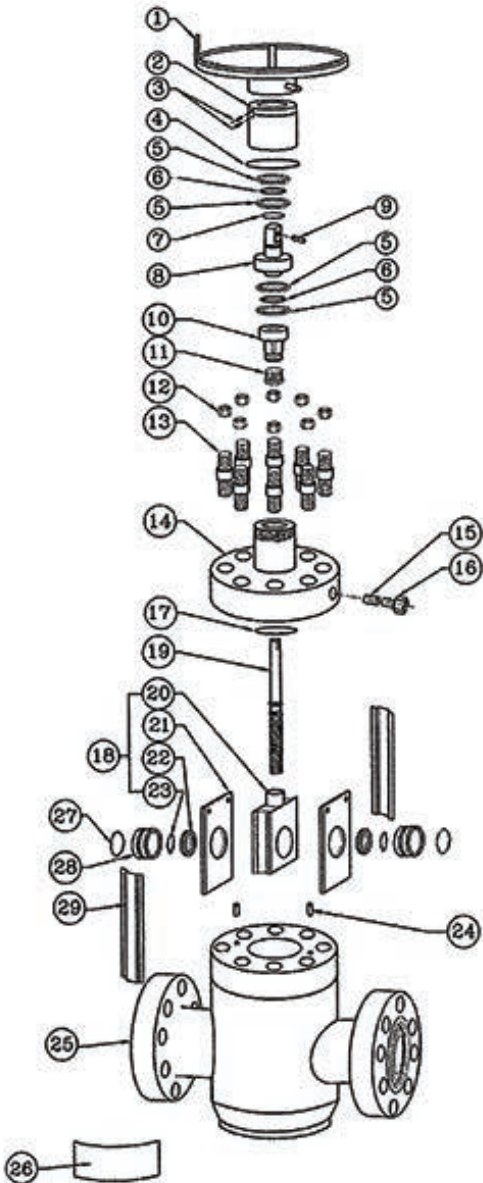
# API GATE VALVE PARTS

## Model F/FC

Manual



3 1/8" 5,000 PSI



| #  | DESCRIPTION           | QTY | MATERIAL        | PART #   |
|----|-----------------------|-----|-----------------|----------|
| 1  | Handwheel             | 1   | -               | POR      |
| 2  | Bearing Cap           | 1   | Alloy           | VCIW1845 |
| 3  | Grease Fitting        | 2   | Zinc Plated     | VCIW1940 |
| 4  | O-Ring                | 1   | Nitrile 70D     | VCIW2000 |
| 5  | Bearing Race          | 4   | Alloy           | VCIW2060 |
| 6  | Bearing               | 2   | Alloy           | VCIW2040 |
| 7  | O-Ring (Stem Adapter) | 1   | Nitrile 70D     | VCIW2020 |
| 8  | Stem Adapter          | 1   | Alloy           | VCIW1840 |
| 9  | Stem Pin              | 1   | 1045 CS         | VCIW2080 |
| 10 | Packing Gland         | 1   | Alloy           | VCIW1860 |
| 11 | Stem Packing          | 1   | PTFE/BUNA       | VCIW1000 |
| 12 | Nut                   | 8   | -               | POR      |
| 13 | Stud                  | 8   | -               | POR      |
| 14 | Bonnet                | 1   | -               | POR      |
| 15 | Check Valve           | 1   | 316 SS          | FI207620 |
| 16 | Grease Fitting        | 1   | 316 SS          | FA400520 |
| 17 | Bonnet Gasket         | 1   | 304 SS          | VCIW1460 |
| 18 | Gate/Seat Assembly    | 1   | -               | POR      |
| 19 | Stem                  | 1   | 17-4 SS         | VCIW1620 |
| 20 | Gate                  | 1   | 4130 Nitrided   | VCIW1100 |
|    |                       |     | 410 SS Nitrided | VCIW1176 |
|    |                       |     | 4130 HF#5       | VCIW1160 |
| 21 | Retainer Plate        | 2   | 1018 CS         | VCIW1540 |
| 22 | Seat                  | 2   | Stellite™ #6    | VCIW1320 |
| 23 | Seat Seal             | 2   | GF/PTFE         | VCIW1220 |
| 24 | Pin                   | 2   | -               | POR      |
| 25 | Body                  | 1   | -               | POR      |
| 26 | Name Plate            | 1   | -               | POR      |
| 27 | Body Bushing Seal     | 2   | GF/PTFE         | VCIW1800 |
| 28 | Body Bushing          | 2   | 410 SS          | VCIW1700 |
| 29 | Gate Guide            | 2   | 304 SS          | VCIW1920 |

\*POR = price on request, please call for more info.

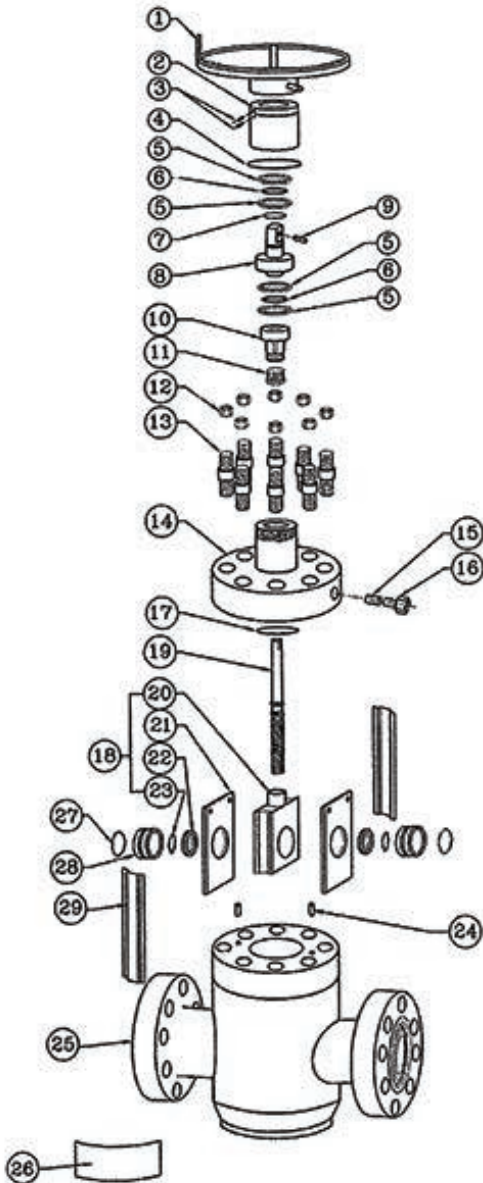
# API GATE VALVE PARTS

## Model F/FC

Manual



3 1/16" 10,000 PSI



| #  | DESCRIPTION           | QTY | MATERIAL        | PART #   |
|----|-----------------------|-----|-----------------|----------|
| 1  | Handwheel             | 1   | -               | POR      |
| 2  | Bearing Cap           | 1   | Alloy           | VCIW1845 |
| 3  | Grease Fitting        | 2   | Zinc Plated     | VCIW1940 |
| 4  | O-Ring                | 1   | Nitrile 70D     | VCIW2000 |
| 5  | Bearing Race          | 4   | Alloy           | VCIW2060 |
| 6  | Bearing               | 2   | Alloy           | VCIW2040 |
| 7  | O-Ring (Stem Adapter) | 1   | Nitrile 70D     | VCIW2020 |
| 8  | Stem Adapter          | 1   | Alloy           | VCIW1840 |
| 9  | Stem Pin              | 1   | 1045 CS         | VCIW2080 |
| 10 | Packing Gland         | 1   | Alloy           | VCIW1860 |
| 11 | Stem Packing          | 1   | PTFE/BUNA       | VCIW1000 |
| 12 | Nut                   | 8   | -               | POR      |
| 13 | Stud                  | 8   | -               | POR      |
| 14 | Bonnet                | 1   | -               | POR      |
| 15 | Check Valve           | 1   | 316 SS          | FI207620 |
| 16 | Grease Fitting        | 1   | 316 SS          | FA400520 |
| 17 | Bonnet Gasket         | 1   | 316 SS          | VCIW1493 |
| 18 | Gate/Seat Assembly    | 1   | -               | POR      |
| 19 | Stem                  | 1   | 17-4 SS         | VCIW1620 |
| 20 | Gate                  | 1   | 4130 Nitrided   | VCIW1100 |
|    |                       |     | 410 SS Nitrided | VCIW1176 |
|    |                       |     | 4130 HF#5       | VCIW1160 |
| 21 | Retainer Plate        | 2   | 1018 CS         | VCIW1540 |
| 22 | Seat                  | 2   | Stellite™ #6    | VCIW1320 |
| 23 | Seat Seal             | 2   | GF/PTFE         | VCIW1220 |
| 24 | Pin                   | 2   | -               | POR      |
| 25 | Body                  | 1   | -               | POR      |
| 26 | Name Plate            | 1   | -               | POR      |
| 27 | Body Bushing Seal     | 2   | GF/PTFE         | VCIW1800 |
| 28 | Body Bushing          | 2   | 410 SS          | VCIW1720 |
| 29 | Gate Guide            | 2   | 304 SS          | VCIW1925 |

\*POR = price on request, please call for more info.

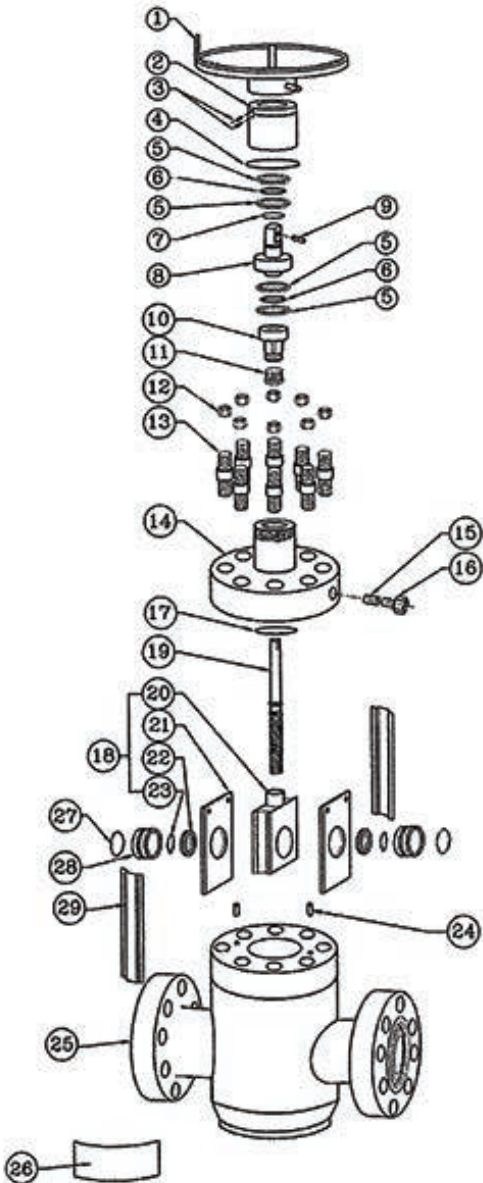
# API GATE VALVE PARTS

## Model F/FC

Manual



3 1/16" 15,000 PSI



| #  | DESCRIPTION           | QTY | MATERIAL        | PART #   |
|----|-----------------------|-----|-----------------|----------|
| 1  | Handwheel             | 1   | -               | POR      |
| 2  | Bearing Cap           | 1   | Alloy           | POR      |
| 3  | Grease Fitting        | 2   | Zinc Plated     | VCIW1940 |
| 4  | O-Ring                | 1   | Nitrile 70D     | VCIW2000 |
| 5  | Bearing Race          | 4   | Alloy           | VCIW2072 |
| 6  | Bearing               | 2   | Alloy           | VCIW2052 |
| 7  | O-Ring (Stem Adapter) | 1   | Nitrile 70D     | VCIW2020 |
| 8  | Stem Adapter          | 1   | Alloy           | POR      |
| 9  | Stem Pin              | 1   | 1045 CS         | VCIW2090 |
| 10 | Packing Gland         | 1   | Alloy           | POR      |
| 11 | Stem Packing          | 1   | PTFE/BUNA       | VCIW1045 |
| 12 | Nut                   | 8   | -               | POR      |
| 13 | Stud                  | 8   | -               | POR      |
| 14 | Bonnet                | 1   | -               | POR      |
| 15 | Check Valve           | 1   | 316 SS          | FI207620 |
| 16 | Grease Fitting        | 1   | 316 SS          | FA905220 |
| 17 | Bonnet Gasket         | 1   | 316 SS          | VCIW1497 |
| 18 | Gate/Seat Assembly    | 1   | -               | POR      |
| 19 | Stem                  | 1   | 17-4 SS         | VCIW1657 |
| 20 | Gate                  | 1   | 4130 Nitrided   | POR      |
|    |                       |     | 410 SS Nitrided | POR      |
|    |                       |     | 4130 HF#5       | VCIW1185 |
| 21 | Retainer Plate        | 2   | 1018 CS         | VCIW1573 |
| 22 | Seat                  | 2   | Stellite™ #6    | VCIW1370 |
| 23 | Seat Seal             | 2   | GF/PTFE         | VCIW1246 |
| 24 | Pin                   | 2   | -               | POR      |
| 25 | Body                  | 1   | -               | POR      |
| 26 | Name Plate            | 1   | -               | POR      |
| 27 | Body Bushing Seal     | 2   | GF/PTFE         | VCIW1810 |
| 28 | Body Bushing          | 2   | 410 SS          | VCIW1750 |
| 29 | Gate Guide            | 2   | 304 SS          | VCIW1926 |

\*POR = price on request, please call for more info.

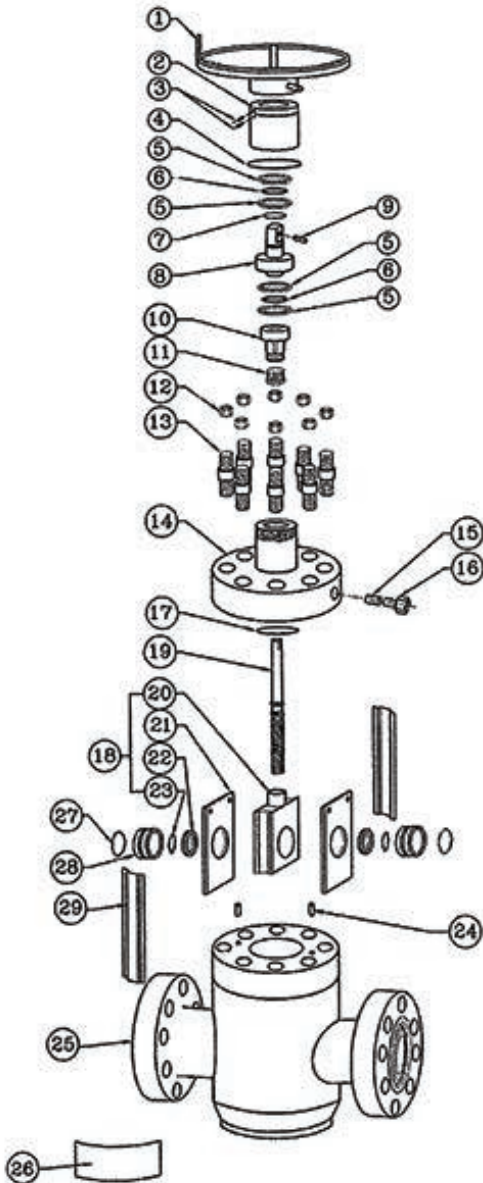
# API GATE VALVE PARTS

## Model F/FC

Manual



4 1/16" 5,000 PSI



| #  | DESCRIPTION           | QTY | MATERIAL        | PART #   |
|----|-----------------------|-----|-----------------|----------|
| 1  | Handwheel             | 1   | -               | POR      |
| 2  | Bearing Cap           | 1   | Alloy           | VCIW1845 |
| 3  | Grease Fitting        | 2   | Zinc Plated     | VCIW1940 |
| 4  | O-Ring                | 1   | Nitrile 70D     | VCIW2000 |
| 5  | Bearing Race          | 4   | Alloy           | VCIW2060 |
| 6  | Bearing               | 2   | Alloy           | VCIW2040 |
| 7  | O-Ring (Stem Adapter) | 1   | Nitrile 70D     | VCIW2020 |
| 8  | Stem Adapter          | 1   | Alloy           | VCIW1840 |
| 9  | Stem Pin              | 1   | 1045 CS         | VCIW2080 |
| 10 | Packing Gland         | 1   | Alloy           | VCIW1860 |
| 11 | Stem Packing          | 1   | PTFE/BUNA       | VCIW1000 |
| 12 | Nut                   | 8   | -               | POR      |
| 13 | Stud                  | 8   | -               | POR      |
| 14 | Bonnet                | 1   | -               | POR      |
| 15 | Check Valve           | 1   | 316 SS          | FI207620 |
| 16 | Grease Fitting        | 1   | 316 SS          | FA400520 |
| 17 | Bonnet Gasket         | 1   | 304 SS          | VCIW1480 |
| 18 | Gate/Seat Assembly    | 1   | -               | POR      |
| 19 | Stem                  | 1   | 17-4 SS         | VCIW1640 |
| 20 | Gate                  | 1   | 4130 Nitrided   | VCIW1102 |
|    |                       |     | 410 SS Nitrided | POR      |
|    |                       |     | 4130 HF#5       | VCIW1168 |
| 21 | Retainer Plate        | 2   | 1018 CS         | VCIW1560 |
| 22 | Seat                  | 2   | Stellite™ #6    | VCIW1330 |
| 23 | Seat Seal             | 2   | GF/PTFE         | VCIW1240 |
| 24 | Pin                   | 2   | -               | POR      |
| 25 | Body                  | 1   | -               | POR      |
| 26 | Name Plate            | 1   | -               | POR      |
| 27 | Body Bushing Seal     | 2   | GF/PTFE         | VCIW1820 |
| 28 | Body Bushing          | 2   | 410 SS          | VCIW1730 |
| 29 | Gate Guide            | 2   | 304 SS          | VCIW1930 |

\*POR = price on request, please call for more info.

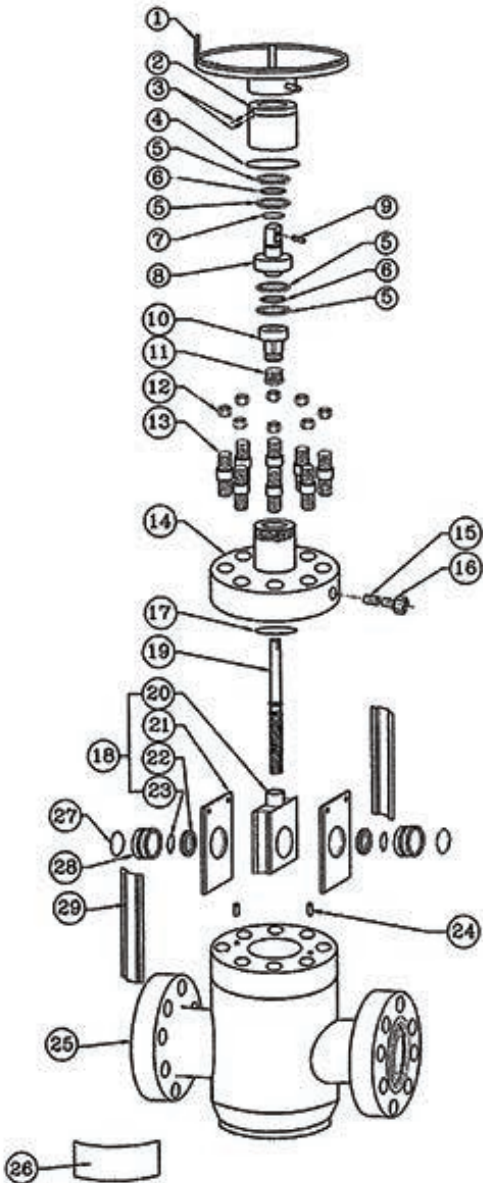
# API GATE VALVE PARTS

## Model F/FC

Manual



4 1/16" 10,000 PSI



| #  | DESCRIPTION           | QTY | MATERIAL        | PART #   |
|----|-----------------------|-----|-----------------|----------|
| 1  | Handwheel             | 1   | -               | POR      |
| 2  | Bearing Cap           | 1   | Alloy           | VCIW1846 |
| 3  | Grease Fitting        | 2   | Zinc Plated     | VCIW1940 |
| 4  | O-Ring                | 1   | Nitrile 70D     | VCIW2000 |
| 5  | Bearing Race          | 4   | Alloy           | VCIW2070 |
| 6  | Bearing               | 2   | Alloy           | VCIW2050 |
| 7  | O-Ring (Stem Adapter) | 1   | Nitrile 70D     | VCIW2025 |
| 8  | Stem Adapter          | 1   | Alloy           | VCIW1841 |
| 9  | Stem Pin              | 1   | 1045 CS         | VCIW2085 |
| 10 | Packing Gland         | 1   | Alloy           | VCIW1861 |
| 11 | Stem Packing          | 1   | PTFE/BUNA       | VCIW1040 |
| 12 | Nut                   | 8   | -               | POR      |
| 13 | Stud                  | 8   | -               | POR      |
| 14 | Bonnet                | 1   | -               | POR      |
| 15 | Check Valve           | 1   | 316 SS          | FI207620 |
| 16 | Grease Fitting        | 1   | 316 SS          | FA400520 |
| 17 | Bonnet Gasket         | 1   | 316 SS          | VCIW1494 |
| 18 | Gate/Seat Assembly    | 1   | -               | POR      |
| 19 | Stem                  | 1   | 17-4 SS         | VCIW1656 |
| 20 | Gate                  | 1   | 4130 Nitrided   | VCIW1110 |
|    |                       |     | 410 SS Nitrided | VCIW1178 |
|    |                       |     | 4130 HF#5       | VCIW1170 |
| 21 | Retainer Plate        | 2   | 1018 CS         | VCIW1570 |
| 22 | Seat                  | 2   | Stellite™ #6    | VCIW1340 |
| 23 | Seat Seal             | 2   | GF/PTFE         | VCIW1240 |
| 24 | Pin                   | 2   | -               | POR      |
| 25 | Body                  | 1   | -               | POR      |
| 26 | Name Plate            | 1   | -               | POR      |
| 27 | Body Bushing Seal     | 2   | GF/PTFE         | VCIW1820 |
| 28 | Body Bushing          | 2   | 410 SS          | VCIW1740 |
| 29 | Gate Guide            | 2   | 304 SS          | VCIW1935 |

\*POR = price on request, please call for more info.

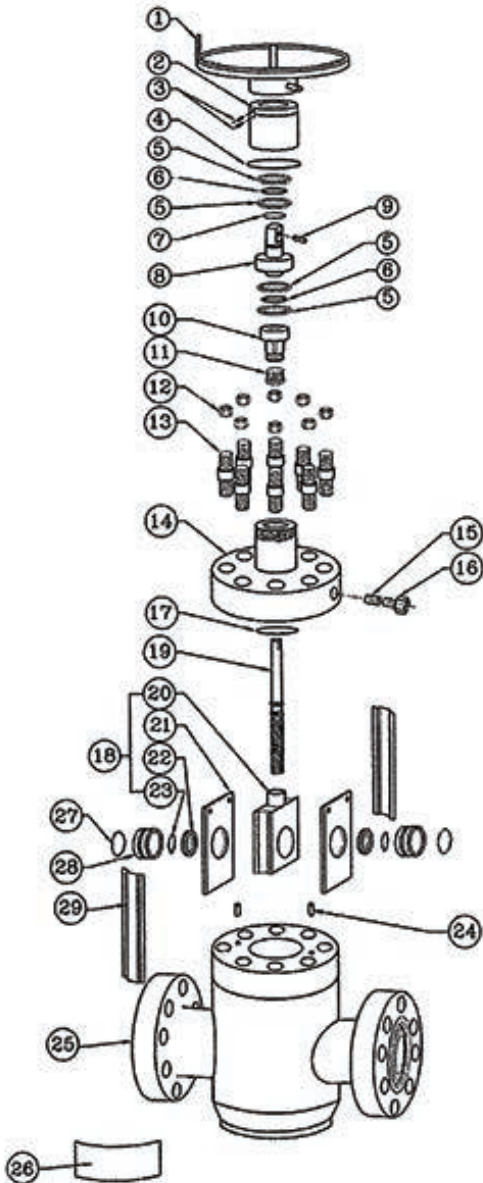
# API GATE VALVE PARTS

## Model F/FC

Manual



4 1/16" 15,000 PSI



| #  | DESCRIPTION            | QTY | MATERIAL     | PART #   |
|----|------------------------|-----|--------------|----------|
| 1  | Handwheel              | 1   | -            | POR      |
| 2  | Bearing Cap            | 1   | -            | POR      |
| 3  | Grease Fitting         | 2   | Zinc Plated  | VCIW1940 |
| 4  | O-Ring                 | 1   | Nitrile 70D  | VCIW2005 |
| 5  | Bearing Race           | 4   | Alloy        | VCIW2072 |
| 6  | Bearing                | 2   | Alloy        | VCIW2052 |
| 7  | O-Ring (Stem Adapter)  | 1   | Nitrile 70D  | POR      |
| 8  | Stem Adapter           | 1   | Alloy        | VCIW1842 |
| 9  | Stem Pin               | 1   | 1045 CS      | VCIW2090 |
| 10 | Packing Gland          | 1   | Alloy        | VCIW1863 |
| 11 | Stem Packing           | 1   | PTFE/BUNA    | VCIW1045 |
| 12 | Nut                    | 8   | -            | POR      |
| 13 | Stud                   | 8   | -            | POR      |
| 14 | Bonnet                 | 1   | -            | POR      |
| 15 | Check Valve            | 1   | 316 SS       | FI207620 |
| 16 | Grease Fitting         | 1   | 316 SS       | FA905220 |
| 17 | Bonnet Gasket          | 1   | 316 SS       | VCIW1498 |
| 18 | Gate/Seat Assembly     | 1   | -            | POR      |
|    | JMP Gate Seat Assembly |     |              | POR      |
| 19 | Stem                   | 1   | 17-4 SS      | VCIW1658 |
| 20 | Gate                   | 1   | 4130 HF#5    | VCIW1186 |
|    | JMP Style Gate         |     |              | VJMP1000 |
| 21 | Retainer Plate         | 2   | 1018 CS      | VCIW1575 |
| 22 | Seat                   | 2   | Stellite™ #6 | VCIW1375 |
| 23 | Seat Seal              | 2   | GF/PTFE      | VCIW1248 |
| 24 | Pin                    | 2   | -            | POR      |
| 25 | Body                   | 1   | -            | POR      |
| 26 | Name Plate             | 1   | -            | POR      |
| 27 | Body Bushing Seal      | 2   | GF/PTFE      | VCIW1821 |
| 28 | Body Bushing           | 2   | 410 SS       | VCIW1755 |
| 29 | Gate Guide             | 2   | 304 SS       | VCIW1936 |

\*POR = price on request, please call for more info.



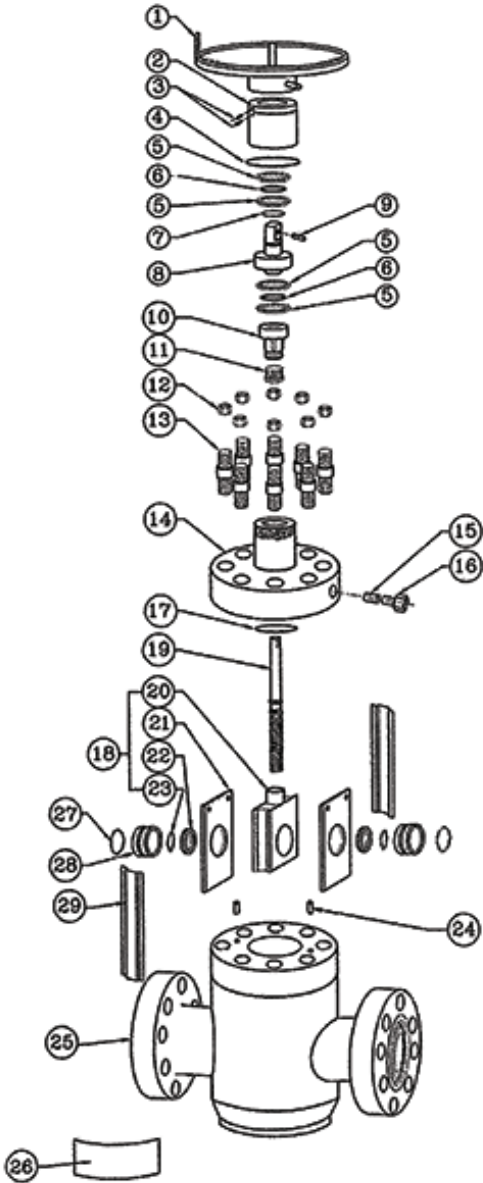
# API GATE VALVE PARTS

## Model F/FC

Manual



5 1/8" 10,000 PSI



| #  | DESCRIPTION           | QTY | MATERIAL     | PART #   |
|----|-----------------------|-----|--------------|----------|
| 1  | Handwheel             | 1   | -            | POR      |
| 2  | Bearing Cap           | 1   | -            | POR      |
| 3  | Grease Fitting        | 2   | Zinc Plated  | VCIW1940 |
| 4  | O-Ring                | 1   | Nitrile 70D  | POR      |
| 5  | Bearing Race          | 4   | -            | VCIW2072 |
| 6  | Bearing               | 2   | -            | VCIW2052 |
| 7  | O-Ring (Stem Adapter) | 1   | Nitrile 70D  | POR      |
| 8  | Stem Adapter          | 1   | -            | POR      |
| 9  | Stem Pin              | 1   | 1045 CS      | VCIW2090 |
| 10 | Packing Gland         | 1   | -            | POR      |
| 11 | Stem Packing          | 1   | PTFE/BUNA    | VCIW1045 |
| 12 | Nut                   | 8   | -            | POR      |
| 13 | Stud                  | 8   | -            | POR      |
| 14 | Bonnet                | 1   | -            | POR      |
| 15 | Check Valve           | 1   | 316 SS       | FI207620 |
| 16 | Grease Fitting        | 1   | 316 SS       | FA400520 |
| 17 | Bonnet Gasket         | 1   | 316 SS       | VJMP5120 |
| 18 | Gate/Seat Assembly    | 1   | -            | POR      |
| 19 | Stem                  | 1   | 17-4 SS      | VJMP5040 |
| 20 | Gate                  | 1   | 4130 HF#5    | VJMP5000 |
| 21 | Retainer Plate        | 2   | 1018 CS      | VJMP5100 |
| 22 | Seat                  | 2   | Stellite™ #6 | VJMP5055 |
| 23 | Seat Seal             | 2   | GF/PTFE      | VJMP5065 |
| 24 | Pin                   | 2   | -            | POR      |
| 25 | Body                  | 1   | -            | POR      |
| 26 | Name Plate            | 1   | -            | POR      |
| 27 | Body Busing Seal      | 2   | GF/PTFE      | VJMP5085 |
| 28 | Body Bushing          | 2   | 410 SS       | VJMP5080 |
| 29 | Gate Guide            | 2   | -            | POR      |

\*POR = price on request, please call for more info.