

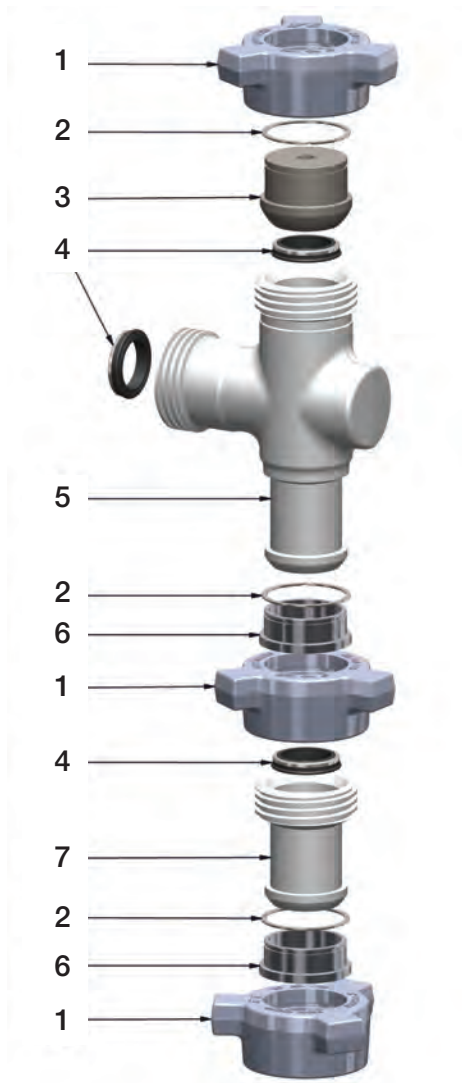
# CHOKES & REPLACEMENT PARTS

## Union G-1502

Positive



2" 1502



#	DESCRIPTION	MATERIAL	PART #
1	Choke Nut	Cast	CM215410
2	Ext. Snap Ring	Steel	CM215010
3	Blanking Cap 1/2" Tapped	Steel	POR
4	Union Seal 2" 1502	BUNA	CM215000
5	Body	Steel	CM215250
6	Split Ring (set)	Steel	CM215025
7	Choke Saver	Steel	CM215500
	Flow Bean	SS/TC	See Beans

### G-1502 POSITIVE CHOKE ASSEMBLY

CONNECTION	MAX. ORIFICE	TRIM	10,000 PSI NACE	15,000 PSI NON-NACE
2" 1502 Union	1"	SS/TC	CM210200	CM215200

\*1/64ths increments from 4/64ths to MAX. orifices.  
Positive Choke assemblies are furnished less flow bean.

\*POR = price on request, please call for more info.

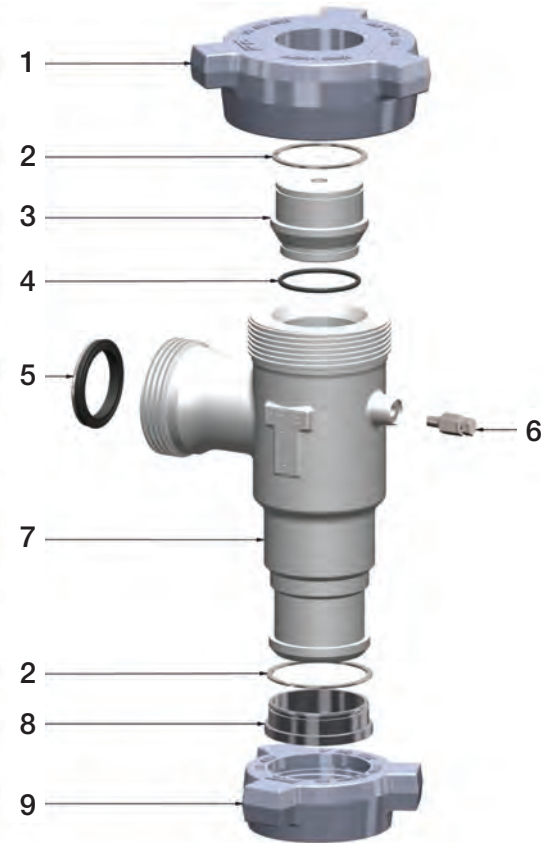
# CHOKES & REPLACEMENT PARTS

## Union G-1502

Positive



3" 1502



#	DESCRIPTION	MATERIAL	PART #
1	Choke Nut	Cast	POR
2	Ext. Snap Ring	Steel	POR
3	Blanking Cap 1/2" Tapped	Steel	POR
4	O-Ring	Nitrile 70D	VCIW2000
5	Union Seal, 3" 1502	BUNA	CM315000
6	Bleed Valve	4140	FV300530
7	Body	Steel	CM315250
8	Split Ring (set)	Steel	POR
9	Wing Nut	Cast	POR
	Flow Bean	SS/TC	See Beans

### G-1502 POSITIVE CHOKE ASSEMBLY

CONNECTION	MAX. ORIFICE	TRIM	10,000 PSI NACE	15,000 PSI NON-NACE
3" 1502 Union	2"	SS/TC	CM310200	CM315200

\*1/64ths increments from 4/64ths to MAX. orifices.  
Positive Choke assemblies are furnished less flow bean.

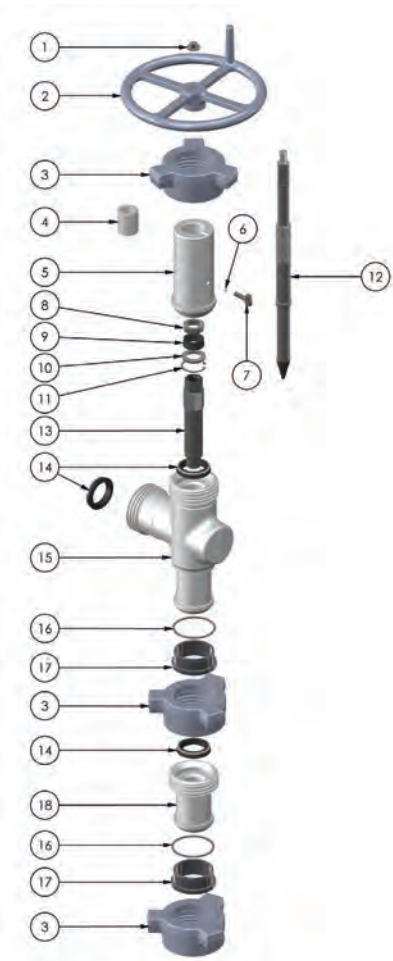
\*POR = price on request, please call for more info.

# CHOKES & REPLACEMENT PARTS

## Union G-1502 Adjustable



2" 1502



#	DESCRIPTION	MATERIAL	PART #
1	Stem Nut and Washer	Steel	CM310210
2	Choke Handle	Cast	POR
3	Wing Nut	Cast	POR
4	Indicator & Set Screw:	PVC	3/4"
			1"
5	Bonnet	SS/TC	POR
6	Nylon Ball	Nylon	CB102463
7	Thumb Screw	Steel	POR
8	Stem Guide	Steel	CM103062
9	Packing	BUNA	CM103061
10	Packing Retainer	Steel	POR
11	Internal Retaining Ring	Steel	CG103420
12	Stem:	SS/TC	3/4"
			1"
13	Seat:	SS/TC	3/4"
			1"
14	Union Seal 2"	BUNA	CM215000
15	Body	Steel	POR
16	External Retaining Ring	Steel	POR
17	Split Ring Set	Steel	POR
18	Choke Saver Sub	Steel	POR

### G-1502 ADJUSTABLE CHOKE ASSEMBLY

CONNECTION	MAX. ORIFICE	TRIM	10,000 PSI NACE	15,000 PSI NON-NACE
2" 1502 Union	3/4"	SS/TC	CM210200	CM215200
	1"		CM210210	CM215210

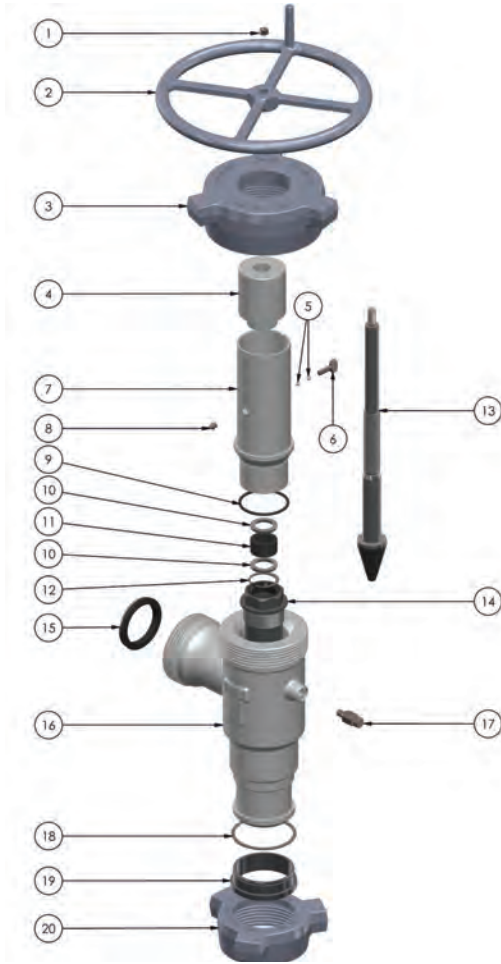
\*POR = price on request, please call for more info.

# CHOKES & REPLACEMENT PARTS

## Union G-1502 Adjustable



3" 1502



#	DESCRIPTION	MATERIAL	PART #
1	Stem Nut and Washer	Steel	CM310210
2	Hand Wheel	Cast	CM215215
3	Choke Nut	Cast	CM315410
4	Indicator & Set Screw	PVC	CG101863
5	Nylon Ball	Nylon	CB102463
6	Thumb Screw	Steel	CB103210
7	Bonnet	Steel	POR
8	Grease Fitting	Alloy	POR
9	340 O-Ring	BUNA	VCIW2000
10	Junk Ring	Steel	CG103220
11	Packing	BUNA	CG103061
12	Internal Retainer Ring	Steel	CG103420
13	Stem:	1" MAX	CG114040
		2" MAX	CG104040
14	Seat:	1" MAX	CB104240
		2" MAX	CG104240
15	Union Seal 3" 1502	BUNA	CM315000
16	Body	Steel	CM315250
17	Bleed Valve	Alloy	FV300530
18	External Retainer Ring	Steel	CM153420
19	Split Ring Set	Steel	CM315025
20	Wing Nut	Cast	CM315415

### G-1502 ADJUSTABLE CHOKE ASSEMBLY

CONNECTION	MAX. ORIFICE	TRIM	10,000 PSI NACE	15,000 PSI NON-NACE
3" 1502 Union	1"	SS/TC	CM310200	CM315200
	2"		CM310210	CM315210

\*POR = price on request, please call for more info.

**CHOKES & REPLACEMENT PARTS****Union G-1502***Flow Beans*G-1502 POSITIVE BEAN, 1" MAX

<b>SIZE</b>	<b>CS/TC PART #</b>	<b>SS/TC PART #</b>
4/64	CC107004	CC108004
6/64	CC107006	CC108006
8/64	CC107008	CC108008
10/64	CC107010	CC108010
12/64	CC107012	CC108012
14/64	CC107014	CC108014
16/64	CC107016	CC108016
18/64	CC107018	CC108018
20/64	CC107020	CC108020
22/64	CC107022	CC108022
24/64	CC107024	CC108024
26/64	CC107026	CC108026
28/64	CC107028	CC108028
30/64	CC107030	CC108030
32/64	CC107032	CC108032
34/64	CC107034	CC108034
36/64	CC107036	CC108036
38/64	CC107038	CC108038
40/64	CC107040	CC108040
42/64	CC107042	CC108042
44/64	CC107044	CC108044
46/64	CC107046	CC108046
48/64	CC107048	CC108048
50/64	CC107050	CC108050
52/64	CC107052	CC108052
54/64	CC107054	CC108054
56/64	CC107056	CC108056
68/64	CC107058	CC108058
60/64	CC107060	CC108060
62/64	CC107062	CC108062
64/64	CC107064	CC108064



**CHOKES & REPLACEMENT PARTS****Union G-1502***Flow Beans*G-1502 POSITIVE BEAN, 2" MAX

<b>SIZE</b>	<b>CS/TC PART #</b>	<b>SS/TC PART #</b>
4/64	CP327004	CP328004
6/64	CP327006	CP328006
8/64	CP327008	CP328008
10/64	CP327010	CP328010
12/64	CP327012	CP328012
14/64	CP327014	CP328014
16/64	CP327016	CP328016
18/64	CP327018	CP328018
20/64	CP327020	CP328020
22/64	CP327022	CP328022
24/64	CP327024	CP328024
26/64	CP327026	CP328026
28/64	CP327028	CP328028
30/64	CP327030	CP328030
32/64	CP327032	CP328032
34/64	CP327034	CP328034
36/64	CP327036	CP328036
38/64	CP327038	CP328038
40/64	CP327040	CP328040
42/64	CP327042	CP328042
44/64	CP327044	CP328044
46/64	CP327046	CP328046
48/64	CP327048	CP328048
50/64	CP327050	CP328050
52/64	CP327052	CP328052
54/64	CP327054	CP328054
56/64	CP327056	CP328056
58/64	CP327058	CP328058
60/64	CP327060	CP328060
62/64	CP327062	CP328062
64/64	CP327064	CP328064
66/64	CP327066	CP328066



\*Complete with copper or SS gasket.





**CHOKES & REPLACEMENT PARTS****Union G-1502***Flow Beans*G-1502 POSITIVE BEAN, 2" MAX

<b>SIZE</b>	<b>CS/TC PART #</b>	<b>SS/TC PART #</b>
68/64	CP327068	CP328068
70/64	CP327070	CP328070
72/64	CP327072	CP328072
74/64	CP327074	CP328074
76/64	CP327076	CP328076
78/64	CP327078	CP328078
80/64	CP327080	CP328080
82/64	CP327082	CP328082
84/64	CP327084	CP328084
86/64	CP327086	CP328086
88/64	CP327088	CP328088
90/64	CP327090	CP328090
92/64	CP327092	CP328092
94/64	CP327094	CP328094
96/64	CP327096	CP328096
98/64	CP327098	CP328098
100/64	CP327100	CP328100
102/64	CP327102	CP328102
104/64	CP327104	CP328104
106/64	CP327106	CP328106
108/64	CP327108	CP328108
110/64	CP327110	CP328110
112/64	CP327112	CP328112
114/64	CP327114	CP328114
116/64	CP327116	CP328116
118/64	CP327118	CP328118
120/64	CP327120	CP328120
122/64	CP327122	CP328122
124/64	CP327124	CP328124
126/64	CP327126	CP328126
128/64	CP327128	CP328128



\*Complete with copper or SS gasket.

# CHOKES & REPLACEMENT PARTS

## Union G-1502

Adjustable



### G-1502 STEMS

NOMINAL	ORIFICE	LENGTH	MATERIAL	PART #
2"	3/4"	22.00"	SS/TC	CM104040
	1"			
3"	1"	21.75"		CG114040
	2"	23.00"		CG104040

### G-1502 SEATS

NOMINAL	FULLY LINED SS/TC
2"	CB074240
	CB104240
3"	CG104340
	CG104240

### CHOKE INDICATORS

NOMINAL	ORIFICE	PART #
2"	3/4"	CM301733
	1"	CM301734
3"	1"	CG111863
	2"	CG101863

### G-1502 ACCESSORIES

DESCRIPTION	MATERIAL	PART #
Seat Adapter, 2" MAX. to 1" MAX.	4130	CG108030
	410 SS	CG108020
Bean Wrench	CS	1" MAX CF109010
		2" MAX CG109010