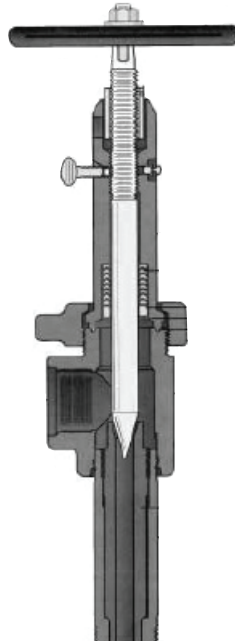


**CHOKES & REPLACEMENT PARTS****Threaded G-N60***Adjustable and Positive*2" LP 3,000 - 5,000 PSI

CONNECTION	MAX. ORIFICE	MATERIAL	PART #
2"	3/4"	HS	CB070010
		SS/TC	CB070040
	1"	HS	CB100010
		SS/TC	CB100040

**Features & Options**

- Compatible with most other OEM N-60 Style Chokes
- Available in 3/4" or 1" orifice sizes
- Grease fittings on bonnet for maintenance purposes
- Standard hardened steel trim (HS)
- Optional stainless steel tungsten carbide trim (SS/TC)

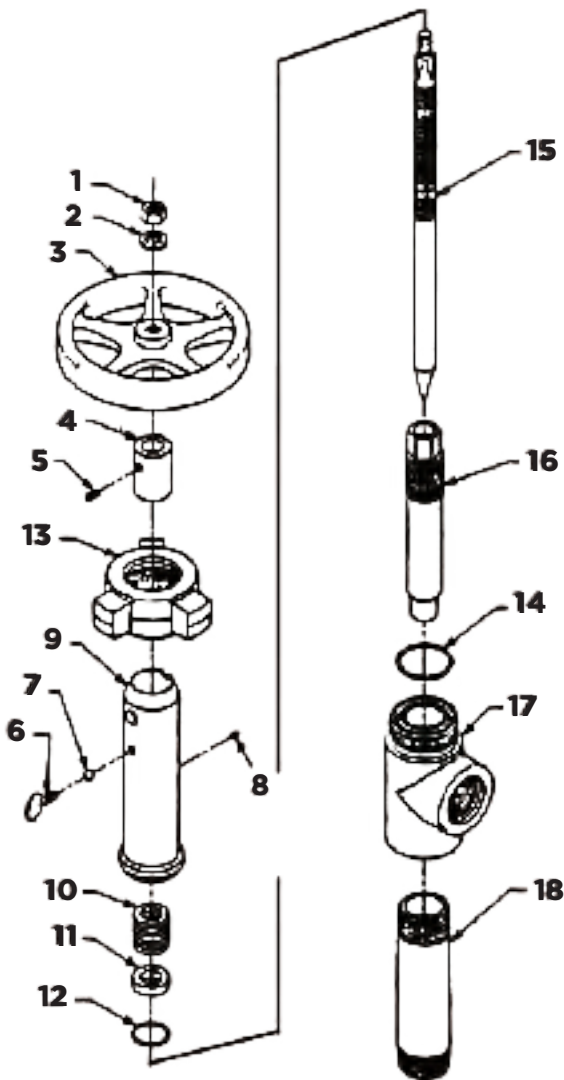


# CHOKES & REPLACEMENT PARTS

## Threaded G-N60 Adjustable



2" LP 3,000 - 5,000 PSI



#	DESCRIPTION	ORIFICE		
		3/4"	1"	
1	Stem Nut	POR	POR	
2	Washer	POR	POR	
3	Handwheel	CB101610	CB101610	
4	Indicator	PVC	CB071863	CB101863
		Aluminum	CB071873	CB101873
5	Set Screw, Indicator	CB102010	CB102010	
6	Thumb Screw	CB102310	CB102310	
7	Nylon Ball	CB102463	CB102463	
8	Grease Fitting	VCIW1940	VCIW1940	
9	Bonnet Only	CB102810	CB102810	
10	Stem Packing	STD	CB103060	CB103060
		TFE	POR	POR
11	Junk Ring	Brass	CB103262	CB103262
		SS	CB103220	CB103220
12	Retainer Ring	CB103410	CB103410	
13	Wing Nut	CB103610	CB103610	
14	"O" Ring	CB103865	CB103865	
15	Stem	Hardened Steel	CB074010	CB104010
		SS/TC	CB074040	CB104040
16	Seat	Hardened Steel	CB074210	CB074210
		SS/TC	CB074240	CB074240
17	Body	CB104410	CB104410	
18	Cage Nipple	CB104810	CB104810	

\*POR = price on request, please call for more info.

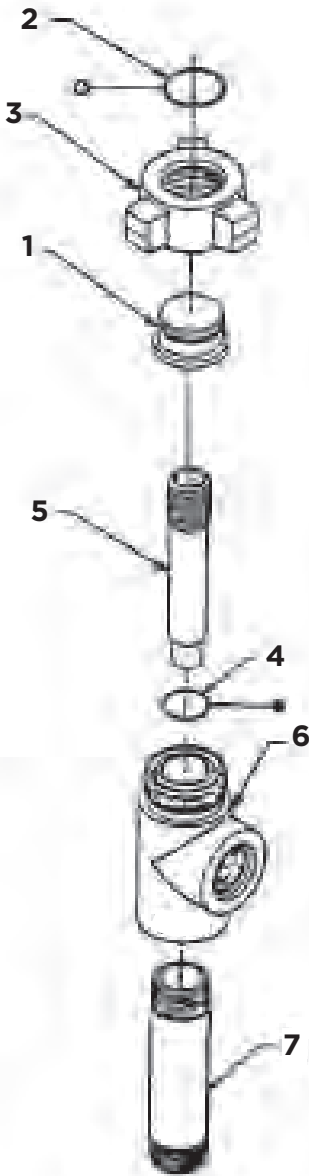
# CHOKES & REPLACEMENT PARTS

## Threaded G-N60

Positive



### G-N60 POSITIVE CHOKE



#	DESCRIPTION	PART #
1	Blanking Cap, Solid	CC105410
	Blanking Cap, Tap 1/2"	CC155410
2	Retainer Ring	CC105210
3	Wing Nut	POR
4	"O" Ring	POR
5	Flow Bean (Not Included)	Reference Flow Beans
6	Body, 2" 3-5M LPxLP	CB104410
7	Cage Nipple	CB104810
	Cap Assembly, Solid	CC105810
	Cap Assembly, Tap 1/2"	CC155810
	G-N60 Positive Choke Assy.	CC100010

\*Flow beans sold separately.

\*POR = price on request, please call for more info.

# CHOKES & REPLACEMENT PARTS

## Threaded G-N60



### TYPE G-N60 CHOKE TRIM

#### Stems



ORIFICE SIZE	LENGTH	PART #	
		HS	SS/TC
3/4"	16.75"	CB074010	CB074040
1"		CB104010	CB104040

#### Seats



ORIFICE SIZE	LENGTH	PART #	
		HS	SS/TC
3/4"	8.25"	CB074210	CB074240
1"		CB104210	CB104240

HS = Hardened Steel  
 SS/TC = Stainless Steel/Tungsten Carbide

**CHOKES & REPLACEMENT PARTS****Threaded G-N60***Positive*G-N60 FLOW BEANS

<b>SIZE</b>	<b>CS/CM PART #</b>	<b>CS/TC PART #</b>	<b>SS/TC PART #</b>
4/64	CC106004	CC107004	CC108004
6/64	CC106006	CC107006	CC108006
8/64	CC106008	CC107008	CC108008
10/64	CC106010	CC107010	CC108010
12/64	CC106012	CC107012	CC108012
14/64	CC106014	CC107014	CC108014
16/64	CC106016	CC107016	CC108016
18/64	CC106018	CC107018	CC108018
20/64	CC106020	CC107020	CC108020
22/64	CC106022	CC107022	CC108022
24/64	CC106024	CC107024	CC108024
26/64	CC106026	CC107026	CC108026
28/64	CC106028	CC107028	CC108028
30/64	CC106030	CC107030	CC108030
32/64	CC106032	CC107032	CC108032
34/64	CC106034	CC107034	CC108034
36/64	CC106036	CC107036	CC108036
38/64	CC106038	CC107038	CC108038
40/64	CC106040	CC107040	CC108040
42/64	CC106042	CC107042	CC108042
44/64	CC106044	CC107044	CC108044
46/64	CC106046	CC107046	CC108046
48/64	CC106048	CC107048	CC108048

