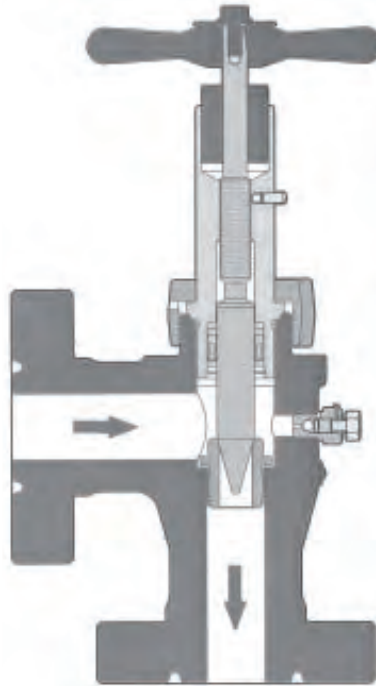


**CHOKES & REPLACEMENT PARTS****Flanged G-H2***Adjustable and Positive*G-H2 ADJUSTABLE CHOKE

CONNECTION	MAX. ORIFICE	MATERIAL	PSL	PR	PART #		
					5,000 PSI	10,000 PSI	15,000 PSI
2-1/16" F x F	1"	EE	2	2	CF200541	CF201041	CF201541
2-9/16" F x F	1"	DD/EE	2	2	CF250541	CF241041	CF251541
3-1/8" F x F	1"	DD/EE	2	2	CF300541	-	-
	2"				CF300542	-	-
3-1/16" F x F	1"	DD/EE	2	2	-	CF301021	CF301521
	2"				-	CG301042	CF301542
4-1/16" F x F	3"	DD/EE	2	2	CF400543	CF401043	CF401543

**Features & Options**

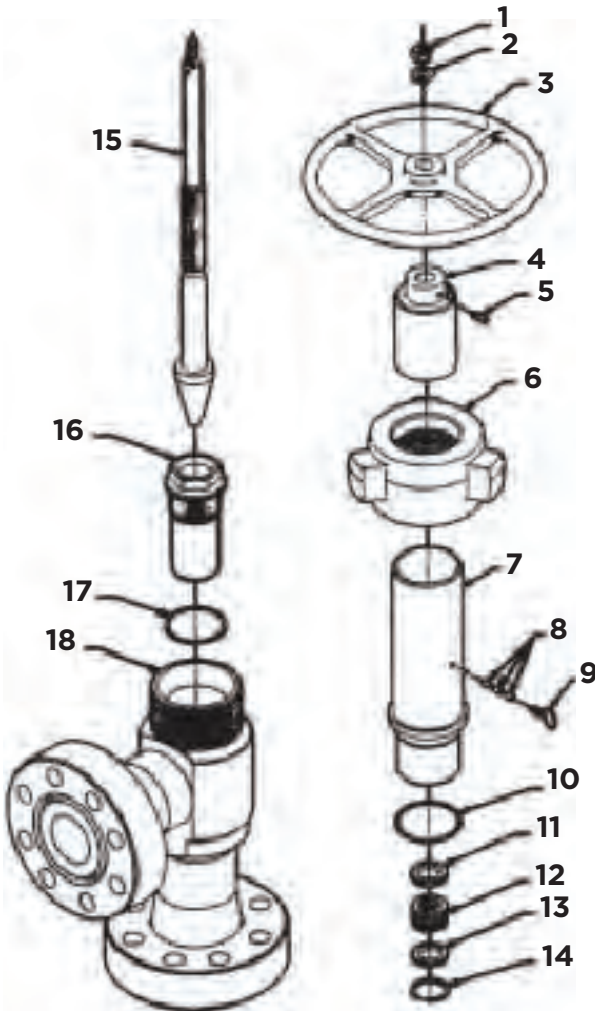
- Compatible with most other OEM H2 Adjustable Style Chokes
- Available in 1", 2" & 3" orifice sizes
- Standard hardened steel trim (HS)
- Stainless steel/tungsten carbide trim (SS/TC)

# CHOKES & REPLACEMENT PARTS

## Flanged G-H2 Adjustable



2 1/16" 2,000 - 10,000 PSI



#	DESCRIPTION	QTY	MATERIAL	PART #	
1	Hex Nut	1	Steel	CF151210	
2	Washer	1	Steel	CF151410	
3	Hand Wheel	1	Cast	CF151610	
4	Indicator Cylinder	1	PVC	CF151863	
5	Set Screw	1	SS	POR	
6	Wing Nut	1	Cast	CF103610	
7	Bonnet	1	Alloy	POR	
8	Plugs	1	Nylon	CB102463	
9	Thumb Screw	1	Steel	CB102310	
10	Bonnet O-Ring	1	Nitrile 70D	CF103865	
11	Junk Ring	1	SS	CF153220	
12	Stem U-Packing Set	1	TFE/Viton®	CF153061	
13	Junk Ring	1	SS	CF153220	
14	Retainer Ring	1	SS	CF153420	
15	Stem, 14 5/8"	1	HS	CF104010	
			SS/TC	CF104040	
16	Seat:	2.1"	1	HS	CF104110
				SS/TC	CF104140
				HS	CF104210
				SS/TC	CF104240
17	Gasket, Seat		1	Copper	CF106220
				SS	CF106240
18	Body	1	POR	POR	

\*POR = price on request, please call for more info.

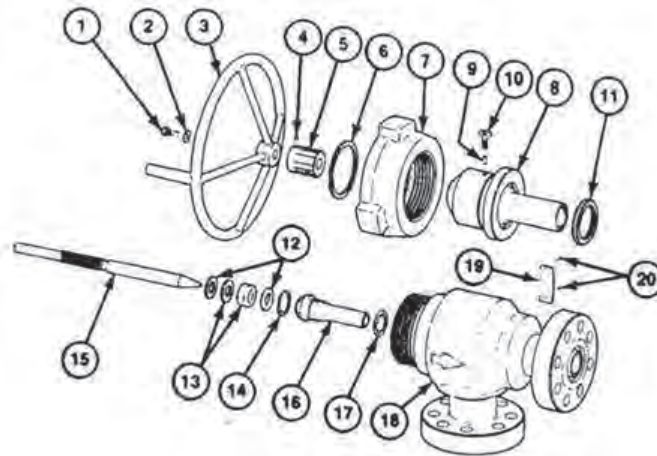
# CHOKES & REPLACEMENT PARTS

## Flanged G-H2

Adjustable



2 1/16" 15,000 PSI



#	DESCRIPTION	QTY	MATERIAL	PART #
1	Hex Nut	1	Steel	POR
2	Washer	1	Steel	POR
3	Hand Wheel	1	Cast	CF151610
4	Set Screw	1	SS	CF151863
5	Indicator Cylinder	1	PVC	CF152010
6	Retainer Ring	1	SS	CF153420
7	Wing Nut	1	Cast	CF153610
8	Bonnet	1	Alloy	CF152810
9	Plugs	1	Nylon	CB102463
10	Thumb Screw	1	Steel	CB102310
11	Bonnet Gasket	1	SS	RG802153
12	Junk Ring	1	SS	CF153220
13	Stem U-Packing Set	1	TFE/Viton®	CF153061
14	Retainer Ring - PKG	1	SS	CF153420
15	Stem, 17 1/8"	1	SS/TC	CF154040
16	Seat, 6.1"	1	SS/TC	CF104240
17	Gasket, Seat	1	Copper	CF106220
			SS	CF106240
18	Body	1	POR	POR

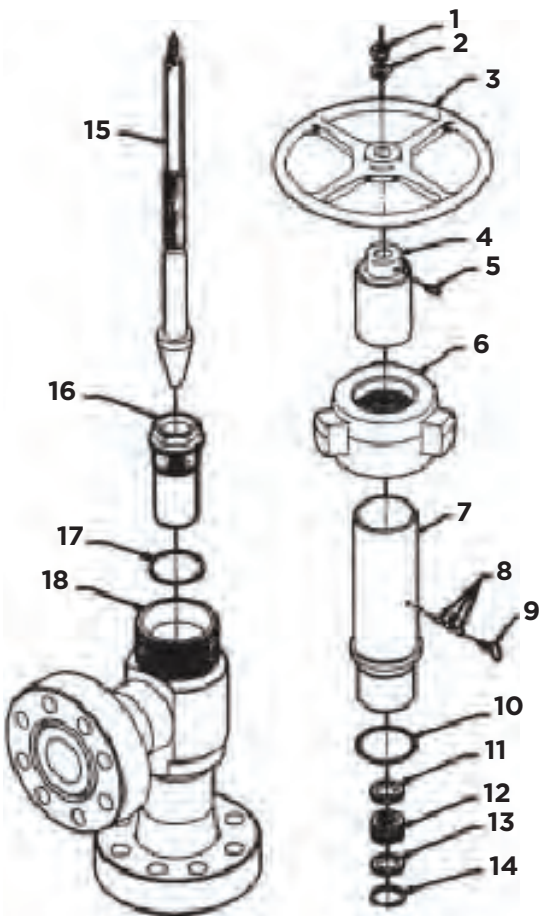
\*POR = price on request, please call for more info.

# CHOKES & REPLACEMENT PARTS

## Flanged G-H2 Adjustable



3 1/16" 10,000 PSI



#	DESCRIPTION	QTY	MATERIAL	PART #
1	Hex Nut	1	Steel	POR
2	Washer	1	Steel	POR
3	Hand Wheel	1	Cast	CG151610
4	Indicator Cylinder	1	PVC	2" MAX CG101863
				1" MAX CG111863
5	Set Screw	1	SS	CG102010
6	Wing Nut	1	Cast	POR
7	Bonnet	1	Alloy	POR
8	Plugs	1	Nylon	CB102463
9	Thumb Screw	1	Steel	CG152210
10	Bonnet O-Ring	1	Nitrile 70D	CG103865
11	Junk Ring	1	SS	CG103220
12	Stem U-Packing Set	1	TFE/Viton®	CG103061
13	Junk Ring	1	SS	CG103220
14	Retainer Ring	1	SS	CG103420
15	Stem:	1	SS/TC	2" MAX - 23 1/4" CG104040
				1" MAX - 21 3/4" CG114040
16	Seat:	1	SS/TC	6.1" CG104240
				3.125" CG104140
17	Gasket, Seat	1	Copper	CG106220
			Teflon	CG106221
			SS	CG106222
18	Body	1	POR	POR

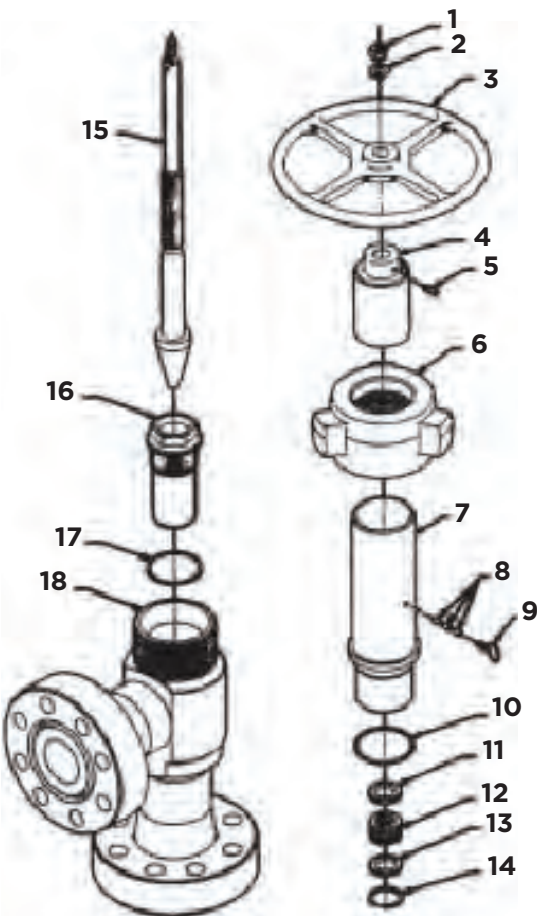
\*POR = price on request, please call for more info.

# CHOKES & REPLACEMENT PARTS

## Flanged G-H2 Adjustable

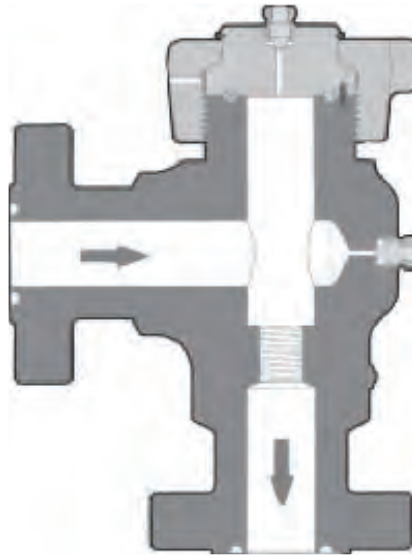


3 1/8" 2,000 - 5,000 PSI



#	DESCRIPTION	QTY	MATERIAL	PART #
1	Hex Nut	1	Steel	POR
2	Washer	1	Steel	POR
3	Hand Wheel	1	Cast	CG151610
4	Indicator Cylinder	1	PVC	2" MAX CG101863
				1" MAX CG111863
5	Set Screw	1	SS	CG102010
6	Wing Nut	1	Cast	POR
7	Bonnet	1	Alloy	POR
8	Plugs	1	Nylon	CB102463
9	Thumb Screw	1	Steel	CG152210
10	Bonnet O-Ring	1	Nitrile 70D	CG103865
11	Junk Ring	1	SS	CG103220
12	Stem U-Packing Set	1	TFE/Viton®	CG103061
13	Junk Ring	1	SS	CG103220
14	Retainer Ring	1	SS	CG103420
15	Stem:	1	SS/TC	2" MAX - 23 1/4" CG104040
				1" MAX - 21 3/4" CG114040
16	Seat:	1	SS/TC	6.1" CG104240
				3.125" CG104140
17	Gasket, Seat	1	Copper	CG106220
			TFE	CG106221
			SS	CG106221
18	Body	1	POR	POR

\*POR = price on request, please call for more info.

**CHOKES & REPLACEMENT PARTS****Flanged G-H2***Positive*G-H2 POSITIVE CHOKE

CONNECTION	MAX. ORIFICE (FIXED BEAN*)	MATERIAL	PSL	PR	PART #		
					5,000 PSI	10,000 PSI	15,000 PSI
2-1/16" F x F	1"	DD/EE	2	2	CP200510	CP201010	CP201510
2-9/16" F x F	1"	DD/EE	2	2	CP250520	CP251010	CP251510
3-1/8" F x F	2"	DD/EE	2	2	CP300520	-	-
3-1/16" F x F	2"	DD/EE	2	2	-	CP301020	CP301520

\*1/64ths increments from 4/64ths to MAX. orifices.  
 Positive Choke assemblies are furnished less flow bean.  
 Other materials, temps, PSL and PR classifications are available.

**Features & Options**

- 2 1/16" to 3-1/16" API Connections
- Custom Connections Available
- 2,000 PSI to 15,000 PSI Pressures
- 1" MAX. Beans, 4/64ths to 64/64ths
- 2" MAX. Beans, 4/64ths to 128/64ths
- Stainless or Tungsten Carbide Stainless Trim



# CHOKES & REPLACEMENT PARTS

## Flanged G-H2

Positive



### G-H2 POSITIVE CHOKE



#	DESCRIPTION	QTY	MATERIAL	PART #			
				2 1/16"		3 1/8"	3 1/16"
				2,000 - 5,000 PSI	10,000 PSI	2,000 - 5,000 PSI	10,000 PSI
1	Retaining Ring	1	SS	CF153210	CF105210	CF105210	CG103420
2	Wing Nut	2	Cast	CF103610	CF103610	CF103610	CF103610
3	Blanking Cap 1/2" Tap	1	Steel	CF105410	CF105410	CG105410	CG105410
4	Bonnet "O" Ring	1	BUNA	CF103865	CF103865	CF103865	CF103865
5	Bean (Not Included)	1	Reference Flow Beans	Reference Flow Beans	Reference Flow Beans	Reference Flow Beans	Reference Flow Beans
6	Gasket	1	Copper	CF106220	CF106220	CG106220	CG106220
			SS	CF106240	CF106240	CG106222	CG106222
			TFE	-	-	CG106221	CG106221
7	Body	1	POR	POR	POR	POR	POR

\*POR = price on request, please call for more info.

**CHOKES & REPLACEMENT PARTS****G-H2***Flow Beans**G-H2 POSITIVE BEAN, 1" MAX*

<b>SIZE</b>	<b>CS/TC PART #</b>	<b>SS/TC PART #</b>
4/64	CP207004	CP208004
6/64	CP207006	CP208006
8/64	CP207008	CP208008
10/64	CP207010	CP208010
12/64	CP207012	CP208012
14/64	CP207014	CP208014
16/64	CP207016	CP208016
18/64	CP207018	CP208018
20/64	CP207020	CP208020
22/64	CP207022	CP208022
24/64	CP207024	CP208024
26/64	CP207026	CP208026
28/64	CP207028	CP208028
30/64	CP207030	CP208030
32/64	CP207032	CP208032
34/64	CP207034	CP208034
36/64	CP207036	CP208036
38/64	CP207038	CP208038
40/64	CP207040	CP208040
42/64	CP207042	CP208042
44/64	CP207044	CP208044
46/64	CP207046	CP208046
48/64	CP207048	CP208048
50/64	CP207050	CP208050
52/64	CP207052	CP208052
54/64	CP207054	CP208054
56/64	CP207056	CP208056
58/64	CP207058	CP208058
60/64	CP207060	CP208060
62/64	CP207062	CP208062
64/64	CP207064	CP208064

*\*Complete with copper or SS gasket.*



**CHOKES & REPLACEMENT PARTS****G-H2***Flow Beans*G-H2 POSITIVE BEAN, 2" MAX

<b>SIZE</b>	<b>CS/TC PART #</b>	<b>SS/TC PART #</b>
4/64	CP327004	CP328004
6/64	CP327006	CP328006
8/64	CP327008	CP328008
10/64	CP327010	CP328010
12/64	CP327012	CP328012
14/64	CP327014	CP328014
16/64	CP327016	CP328016
18/64	CP327018	CP328018
20/64	CP327020	CP328020
22/64	CP327022	CP328022
24/64	CP327024	CP328024
26/64	CP327026	CP328026
28/64	CP327028	CP328028
30/64	CP327030	CP328030
32/64	CP327032	CP328032
34/64	CP327034	CP328034
36/64	CP327036	CP328036
38/64	CP327038	CP328038
40/64	CP327040	CP328040
42/64	CP327042	CP328042
44/64	CP327044	CP328044
46/64	CP327046	CP328046
48/64	CP327048	CP328048
50/64	CP327050	CP328050
52/64	CP327052	CP328052
54/64	CP327054	CP328054
56/64	CP327056	CP328056
58/64	CP327058	CP328058
60/64	CP327060	CP328060
62/64	CP327062	CP328062
64/64	CP327064	CP328064



*\*Complete with copper or SS gasket.*

*\*More sizes on the following page*

**CHOKES & REPLACEMENT PARTS****G-H2***Flow Beans**G-H2 POSITIVE BEAN, 2" MAX*

<b>SIZE</b>	<b>CS/TC PART #</b>	<b>SS/TC PART #</b>
66/64	CP327066	CP328066
68/64	CP327068	CP328068
70/64	CP327070	CP328070
72/64	CP327072	CP328072
74/64	CP327074	CP328074
76/64	CP327076	CP328076
78/64	CP327078	CP328078
80/64	CP327080	CP328080
82/64	CP327082	CP328082
84/64	CP327084	CP328084
86/64	CP327086	CP328086
88/64	CP327088	CP328088
90/64	CP327090	CP328090
92/64	CP327092	CP328092
94/64	CP327094	CP328094
96/64	CP327096	CP328096
98/64	CP327098	CP328098
100/64	CP327100	CP328100
102/64	CP327102	CP328102
104/64	CP327104	CP328104
106/64	CP327106	CP328106
108/64	CP327108	CP328108
110/64	CP327110	CP328110
112/64	CP327112	CP328112
114/64	CP327114	CP328114
116/64	CP327116	CP328116
118/64	CP327118	CP328118
120/64	CP327120	CP328120
122/64	CP327122	CP328122
124/64	CP327124	CP328124
126/64	CP327126	CP328126
128/64	CP327128	CP328128



\*Complete with copper or SS gasket.



**CHOKES & REPLACEMENT PARTS****G-H2**

Stems &amp; Seats

G-H2 STEMS

DESCRIPTION		LENGTH	PART #	
NOM.	ORIFICE		CS/TC	SS/TC
2"	1"	14.625"	CF104030	CF104040
		17.125"	CF154030	CF154040
3"	1"	21.375"	CG114030	CG114040
3"	2"	23.25"	CG104030	CG104040

G-H2 SEATS

DESCRIPTION Little John		LENGTH	PART #	
NOM.	ORIFICE		CS/TC	SS/TC
2"	1"	2.125"	CF104130	CF104140
3"	1"	2.125"	CF104130	CF104140
3"	2"	3.125"	CG104130	CG104140

DESCRIPTION Big John		LENGTH	PART #	
NOM.	ORIFICE		CS/TC	SS/TC
2"	1"	6.10"	CF104230	CF104240
3"	1"	6.10"	CF104230**	CF104240**
			CG104330*	CG104340*
3"	2"	6.00"	CG104230	CG104240

\*\* 2" MAX to 1" MAX Seat Adapter Required

\* No Adapter Required

**CHOKES & REPLACEMENT PARTS****Flanged G-H2***Adjustable and Positive*CHOKE INDICATORS

NOMINAL	ORIFICE	MATERIAL	PART #
2"	1"	PVC	CF151863
3"	1"		CG111863
	2"		CG101863

H2 ACCESSORIES

DESCRIPTION	SIZE	PART #	
		4130	SS
Seat, Adapter	2" CIW x 1" CIW	CG108030	CG108020
Bean Wrench	1" MAX bean	CF109010	-
	2" MAX bean	CG109010	-

