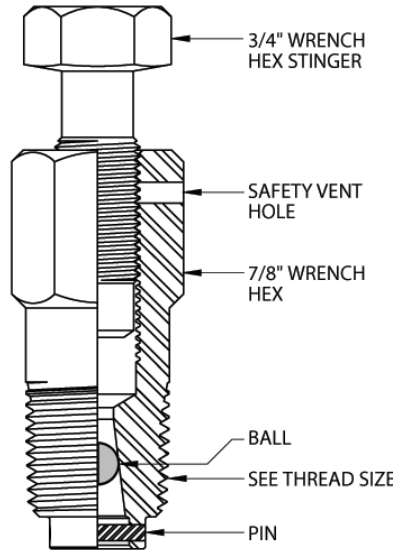


LUBRICATION FITTINGS

Packing Injector Fittings *Floating Ball*



ORDERING INFO AND SPECIFICATIONS



THREAD SIZE	MATERIAL	HEAT TREATMENT	PLATING	BALL(S)	PART #
3/4" NPT	1215*	N/A	Zinc Cobalt	CA	FP600510
	316 SS	Annealed (NACE)	N/A	K-Monel	FP600520
	4140	Rc 22 MAX. (NACE)	Zinc Cobalt		FP600530
1/2" NPT	1215*	N/A	Zinc Cobalt	CA	FP400510
	316 SS	Annealed (NACE)	N/A	K-Monel	FP400520
	4140	Rc 22 MAX. (NACE)	Zinc Cobalt		FP400530
3/8" NPT	1215*	N/A	Zinc Cobalt	CA	FP300510
	316 SS	Annealed (NACE)	N/A	K-Monel	FP300520
	4140	Rc 22 MAX. (NACE)	Zinc Cobalt		FP300530
1/4" NPT	1215*	N/A	Zinc Cobalt	CA	FP200510
	316 SS	Annealed (NACE)	N/A	K-Monel	FP200520
	4140	Rc 22 MAX. (NACE)	Zinc Cobalt		FP200530

**or substitute material which meets or exceeds 1215*