

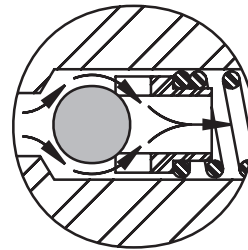
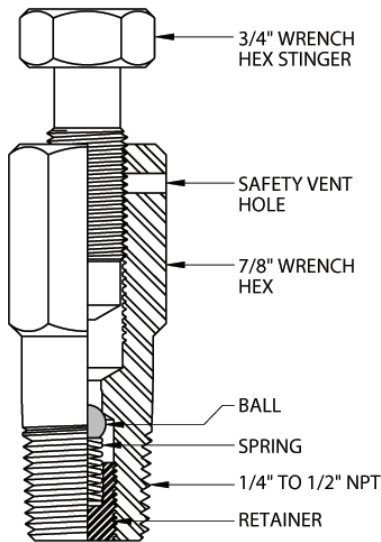
LUBRICATION FITTINGS

Packing Injector Fittings

Free Flow - Bonnet Injection



ORDERING INFO AND SPECIFICATIONS



Lubricant Flow
(90° Rotation View)

FREE FLOW

When the ball is off the seat, lubricant flows unrestricted around the spring and through the openings on the sides of the retainer.

THREAD SIZE	MATERIAL	HEAT TREATMENT	PLATING	SPRING	BALL(S)	PART #
1/2" NPT	1215*	N/A	Zinc Cobalt	302SS	CA	FP401510
	316 SS	Annealed (NACE)	N/A	Inconel X750	K-Monel	FP401520
	4140	Rc 22 MAX. (NACE)	Zinc Cobalt			FP401530
3/8" NPT	1215*	N/A	Zinc Cobalt	302SS	CA	FP301510
	316 SS	Annealed (NACE)	N/A	Inconel X750	K-Monel	FP301520
	4140	Rc 22 MAX. (NACE)	Zinc Cobalt			FP301530
1/4" NPT	1215*	N/A	Zinc Cobalt	302SS	CA	FP201510
	316 SS	Annealed (NACE)	N/A	Inconel X750	K-Monel	FP201520
	4140	Rc 22 MAX. (NACE)	Zinc Cobalt			FP201530

*or substitute material which meets or exceeds 1215

PACKING INJECTION FITTING STINGERS



DESCRIPTION	PART #
Stinger SS	FP900520



DESCRIPTION	PART #
Stinger CS	FP900510