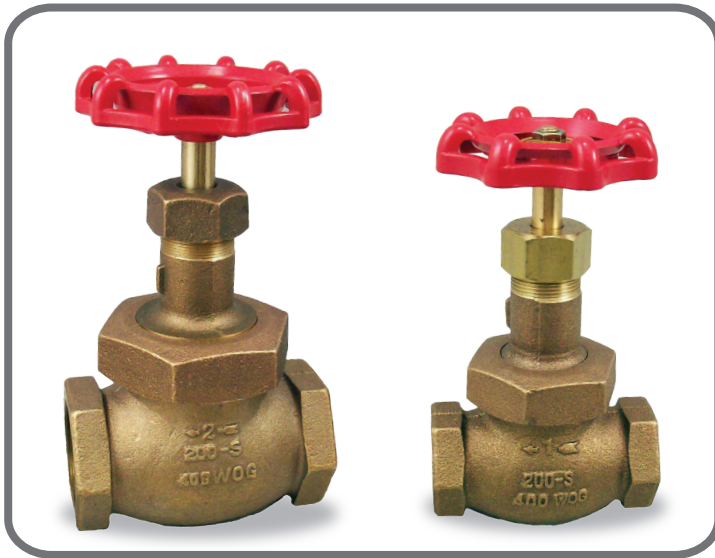


THREADED CLASS 200 Bronze Globe Valves



GRM Flow Products is excited to offer threaded Class 200 Bronze Globe Valves to our customers. Our Bronze Globe Valves are in accordance with the MSS-SP80 standard that is a requirement to be rated for 200 WSP / 400 WOG steam applications. The valves have a union bonnet, rising stem, swivel disc holder and PTFE discs.

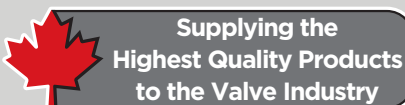


Size	Part Number
1"	BG100100
2"	BG100200

Working pressure marking	200 WSP	400 WOG
Water, Oil, Air under 120°C	400 PSI	
Saturated steam	200 PSI	

Hydrostatic test pressure	
Shell	600 PSI
Seat	400 PSI

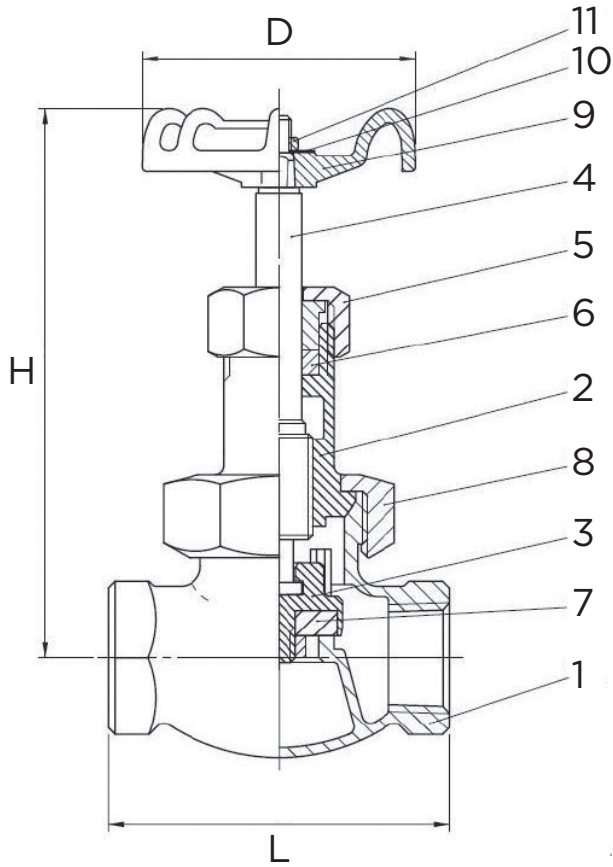
**“CONFORMS
TO
MSS - SP80”**



#310, 8810 - 15 St
Edmonton, AB | T6P 0B9 | 780.416.4823
GRMFLOW.COM SALES@GRMFLOW.COM

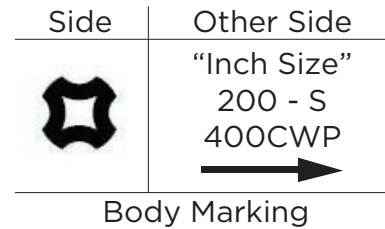


THREADED CLASS 200 Bronze Globe Valves

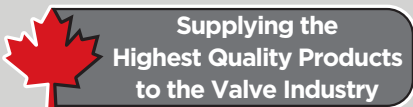


Dimensions

Size (in)	1"	2"
Size (mm)	25	50
L (in)	3.748	5.685
L (mm)	95.2	144.4
H (in)	5.874	8.220
H (mm)	149.2	208.8
D (in)	3.543	4.921
D (mm)	90	125



NO.	Part	Material
1	Body	Cast Bronze (B62)
2	Bonnet	Cast Bronze (B62)
3	Disc	Brass(1/4-1/2) Cast Bronze(B62)(3/4-3)
4	Stem	B584 - C87500/Bronze
5	Packing Nut	Brass(1/4-1 1/4) Cast Bronze(1 1/2-3)
6	Packing	Graphite
7	Gasket	PTFE
8	Connecting Nut	Cast Bronze (B62)
9	Handwheel	Aluminum
10	Name Plate	Aluminum
11	Handwheel Nut	Steel Zinc Plated



#310, 8810 - 15 St
Edmonton, AB | T6P 0B9 | 780.416.4823
GRMFLOW.COM SALES@GRMFLOW.COM

