

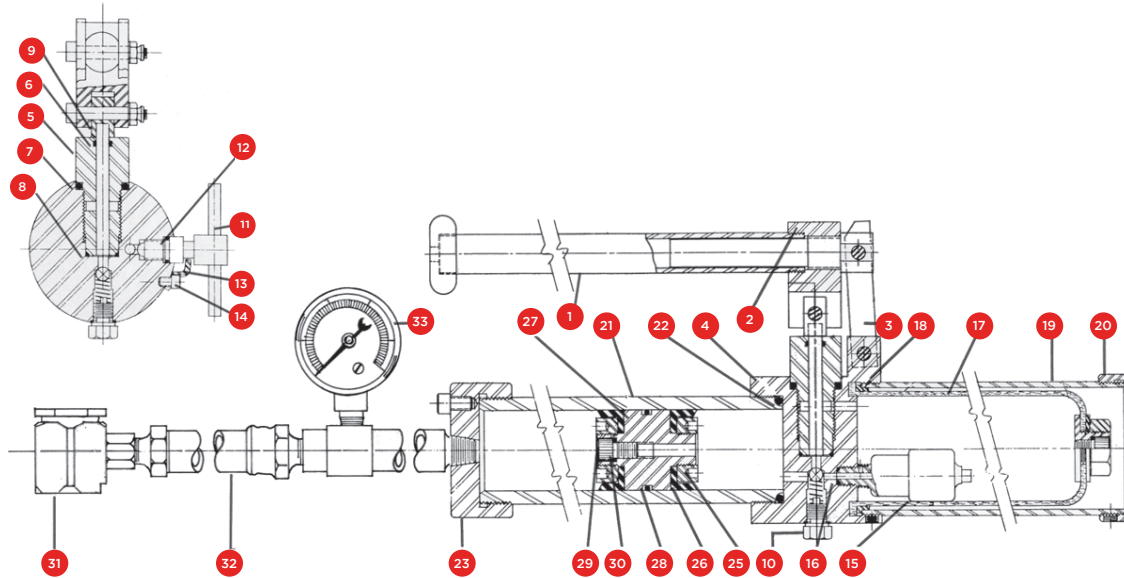
# SNIPER™ LUBRICATION EQUIPMENT

## MX Series

Hydraulic, Hand Held Grease Gun



### PARTS BREAKDOWN



#	DESCRIPTION	PART #
1	Handle with Knob	GG255220
2	Fulcrum Assembly*	GG255225
3	Linkage Assembly	GG255230
4	Body	GG255235
5	Hydraulic Pump Cylinder w/ "O" Ring*	GG255240
6	"O" Ring (Piston Seal)*	GG255245
7	"O" Ring (Top of Pump Cylinder)*	GG255250
8	"O" Ring (Bottom of Pump Cylinder)*	GG255255
9	Pump Piston	GG255260
10	Check Valve Assembly	GG255265
11	By-Pass Valve with "O" Ring	GG255270
12	"O" Ring (By-Pass Valve)*	GG255275
13	By-Pass Valve Stop	GG255280
14	By-Pass Valve Stop Screw	GG255285
15	Internal Relief Valve*	GG255290
16	"O" Ring (By-Pass Valve)*	GG255295

#	DESCRIPTION	PART #
17	Hydraulic Fluid Bag with Bleeder*	GG255300
18	Hydraulic Fluid Bag Seal Ring*	GG255305
19	Hydraulic Fluid Bag Barrel	GG255310
20	Hydraulic Fluid Bag Barrel Cap	GG255315
21	Grease Barrel	GG255320
22	"O" Ring Grease Barrel*	GG255325
23	Grease Barrel Cap	GG255330
24	Piston Assembly	GG255335
25	Washer Nut (2)	GG255340
26	Leather Cup (2)*	GG255345
27	Piston	GG255350
28	"O" Ring (Piston Body)*	GG255355
29	Piston Cap Screw (2)	GG255360
30	"O" Ring (Piston Cap Screw)*	GG255365
31	Giant Button Head Coupler	FT706610
32	Hose with Swivel	GG255375
33	15, 000 PSI Gauge with Adapter	GG255380
34	Plunger	GG255385

\*included in repair kit

**SNIPER™ LUBRICATION EQUIPMENT****MX Series***Hydraulic, Hand Held Grease Gun*DESCRIPTION

The GRM MX Series High Pressure Hydraulic Hand Held Grease Gun is needed for high pressure applications. Benefits include operating ease and smooth efficiency. Usable in any position, these guns are rugged, long lasting, precision manufactured and are recommended for high temperature and harsh environment services such as steam, hot oil, hot compressed gas, and offshore.

SPECIFICATIONS

Capacity	One "J" size stick, 9.5 oz.
Delivery	1 oz. / 50 Strokes
Discharge Pressure	10,000 PSI
Outlet	1/4" NPT
Net Weight	16 lbs

*18" Swivel Hose & Gauge*ORDERING INFO

DESCRIPTION	PART #
Hydraulic, Hand Held, High Pressure Grease Gun	GG255000
Major Repair Kit	GG255990

ADDITIONAL PRODUCTS

DESCRIPTION	PART #
2 1/2" Gauge, 15,000 PSI	GG155305
Adapter Tee	GG155310
Straight Swivel	GG155335
90 Swivel	GG155330
Z Swivel	GG155325