

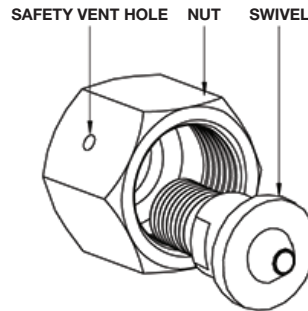
# LUBRICATION FITTINGS

## Grease Gun Adapters & Tools

### Lube Adapters



#### GREASE GUN LUBE ADAPTER



THREAD SIZE	MATERIAL (NUT)	MATERIAL (SWIVEL)	LENGTH OF NUT	PART #
3/4" - 16 UNF	1215*	4140	53/64"	FT601510
7/8" - 14 UNF			1 3/16"	FT701510
1" - 14 UNS			1"	FT901510

Length of nut and materials apply to all thread sizes  
Adapts to grease gun hose via 1/4" MNPT

\*or substitute material which meets or exceeds 1215

PRODUCT	MATERIAL	PART #
MCE Grease Fitting Lube Adapter	1215*	FT801510