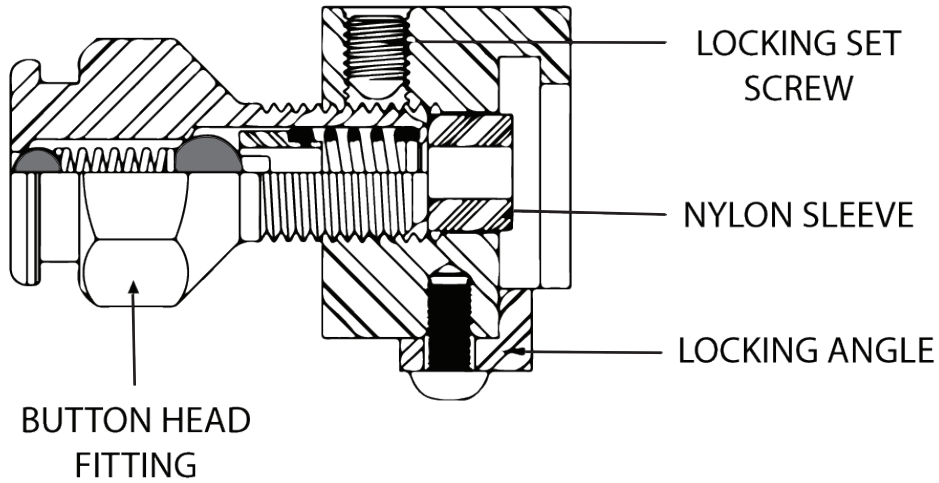


LUBRICATION FITTINGS

Specialty Fittings

Leak Lock Fittings



BUTTON HEAD	THREAD SIZE	MATERIAL (NUT)	LENGTH OF NUT	PART #
For 5/8" Standard	1/4" NPT	1215*	3/4" OAL	FM355110
For 7/8" Giant			1" OAL	FM357110

**or substitute material which meets or exceeds 1215*