

SECTION 6

ADDITIONAL PRODUCTS

- **Casing Vent Assemblies**
- **Snap Off Lockouts**
- **Seat Tools**
- **Ammo Boxes**

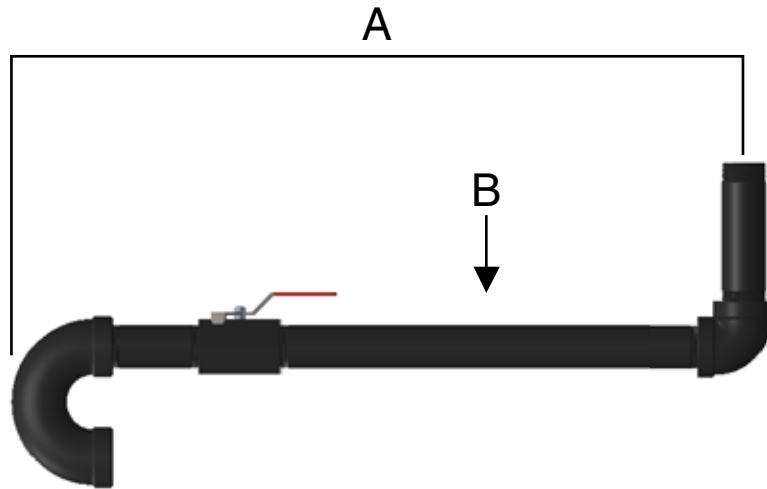
CASING VENT ASSEMBLIES

2,000 PSI CASING VENTS



2,000 PSI CASING VENT ASSEMBLY

The standard 2,000 PSI Casing Vent Assemblies are complete with 2", 2,000 PSI ball valves, 2" XH nipples, and 90° elbow and 180° return bend.



Description	A	B	Components	Material	Part #
2" x 12" Casing Vent Assembly	26"	12"	2" NPT x 6" NPT XH SMLS 2" NPT x 8" NPT XH SMLS 2" NPT x 12" NPT XH SMLS 2" NPT 90° Elbow 2" NPT 180° Ret. Bend.	A106B A106B A106B A105 B/M	CV110012
2" x 16" Casing Vent Assembly	30"	16"	2" NPT x 6" NPT XH SMLS 2" NPT x 8" NPT XH SMLS 2" NPT x 16" NPT XH SMLS 2" NPT 90° Elbow 2" NPT 180° Ret. Bend.	A106B A106B A106B A105 B/M	CV110016
2" x 24" Casing Vent Assembly	38"	24"	2" NPT x 6" NPT XH SMLS 2" NPT x 8" NPT XH SMLS 2" NPT x 24" NPT XH SMLS 2" NPT 90° Elbow 2" NPT 180° Ret. Bend.	A106B A106B A106B A105 B/M	CV110024
2" x 32" Casing Vent Assembly	46"	32"	2" NPT x 6" NPT XH SMLS 2" NPT x 8" NPT XH SMLS 2" NPT x 32" NPT XH SMLS 2" NPT 90° Elbow 2" NPT 180° Ret. Bend.	A106B A106B A106B A105 B/M	CV110032
2" x 36" Casing Vent Assembly	50"	36"	2" NPT x 6" NPT XH SMLS 2" NPT x 8" NPT XH SMLS 2" NPT x 36" NPT XH SMLS 2" NPT 90° Elbow 2" NPT 180° Ret. Bend.	A106B A106B A106B A105 B/M	CV110036
2" x 48" Casing Vent Assembly	62"	48"	2" NPT x 6" NPT XH SMLS 2" NPT x 8" NPT XH SMLS 2" NPT x 48" NPT XH SMLS 2" NPT 90° Elbow 2" NPT 180° Ret. Bend.	A106B A106B A106B A105 B/M	CV110048

#310, 8810 -15 St

Edmonton, AB | T6P 0B9 | 780.416.4823

GRMFLOW.COM SALES@GRMFLOW.COM

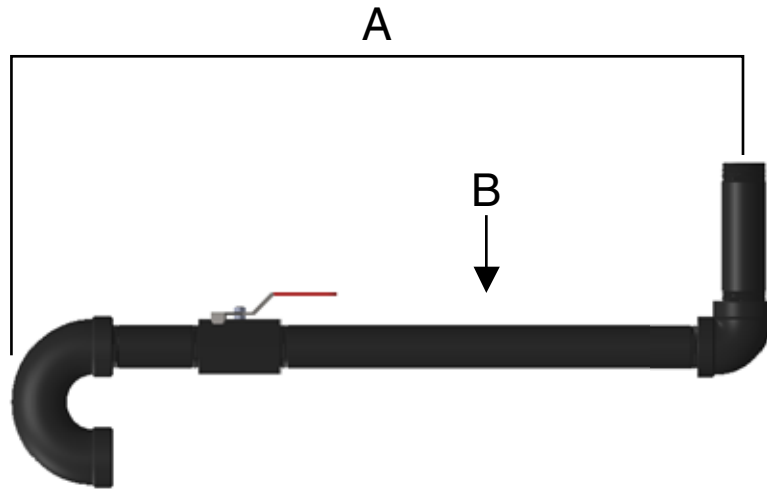
CASING VENT ASSEMBLIES

5,000 PSI CASING VENTS



5,000 PSI CASING VENT ASSEMBLY

Our special 5,000 PSI Casing Vent Assemblies come with a 2", 5,000 PSI ball valve, 2" XXH nipples, and 90° elbow and 180° return bend.



Description	A	B	Components	Material	Part #
2" x 12" Casing Vent Assembly	26"	12"	2" NPT x 6" NPT XXH SMLS 2" NPT x 8" NPT XXH SMLS 2" NPT x 12" NPT XXH SMLS 2" NPT 90° Elbow 2" NPT 180° Ret. Bend.	A106B A106B A106B A105N B/M	CV250012
2" x 16" Casing Vent Assembly	30"	16"	2" NPT x 6" NPT XXH SMLS 2" NPT x 8" NPT XXH SMLS 2" NPT x 16" NPT XXH SMLS 2" NPT 90° Elbow 2" NPT 180° Ret. Bend.	A106B A106B A106B A105N B/M	CV250016
2" x 24" Casing Vent Assembly	38"	24"	2" NPT x 6" NPT XXH SMLS 2" NPT x 8" NPT XXH SMLS 2" NPT x 24" NPT XXH SMLS 2" NPT 90° Elbow 2" NPT 180° Ret. Bend.	A106B A106B A106B A105N B/M	CV250024
2" x 32" Casing Vent Assembly	46"	32"	2" NPT x 6" NPT XXH SMLS 2" NPT x 8" NPT XXH SMLS 2" NPT x 32" NPT XXH SMLS 2" NPT 90° Elbow 2" NPT 180° Ret. Bend.	A106B A106B A106B A105N B/M	CV250032
2" x 36" Casing Vent Assembly	50"	36"	2" NPT x 6" NPT XXH SMLS 2" NPT x 8" NPT XXH SMLS 2" NPT x 36" NPT XXH SMLS 2" NPT 90° Elbow 2" NPT 180° Ret. Bend.	A106B A106B A106B A105N B/M	CV250036
2" x 48" Casing Vent Assembly	62"	48"	2" NPT x 6" NPT XXH SMLS 2" NPT x 8" NPT XXH SMLS 2" NPT x 48" NPT XXH SMLS 2" NPT 90° Elbow 2" NPT 180° Ret. Bend.	A106B A106B A106B A105N B/M	CV250048

SNAP OFF LOCKOUTS



GRM Flow Products is proud to offer an affordable and convenient product to enhance your workplace safety program. Snap Off Lockouts are made of quality aluminum stock with 1/16" aircraft cable sequentially numbered for accurate document control of the locked out equipment.

OPERATION:

- Thread the cable through the body
- Tighten the handle
- "Snap Off" the handle to lockout the targeted ball valve, gate valve, electrical panel, etc.



Size	Part #
12"	GRMCL012
18"	GRMCL018
24"	GRMCL024
36"	GRMCL036

#310, 8810 - 15 St

Edmonton, AB | T6P 0B9 | 780.416.4823

GRMFLOW.COM SALES@GRMFLOW.COM

SEAT REMOVAL TOOLS

SEAT TOOLS



SEAT PULLERS



GRM Flow Products offers a complete line of Canadian made tough and durable seat removal tools for the valve repair industry. These pullers are designed to remove press fit seats from sizes 1 13/16" to 7 1/16" API Gate Valves. They work well on other valve types that have corroded hard to remove seats.

Size	Part #
2" Bar Assembly w/ Slips	VMISPB20
1 13/16" Slips Only, use with 2" Bar Assembly	VMISPS10
2" Slips Only	VMISPS20
2 1/2" Bar Assembly w/ Slips	VMISPB25
2 1/2" Slips Only	VMISPS25
3" Slips Only, use with 2 1/2" Bar Assembly	VMISPS30
4" Slips Only, use with 2 1/2" Bar Assembly	VMISPS40
5" Slips Only, use with 2 1/2" Bar Assembly	VMISPS50
7" Bar Assembly w/ Slips	VMISPB70
7" Slips Only	VMISPS70

PRESS IN SEAT PLATES



Also available are press in seat plates to install seats back into the gate valve. They have a specially designed groove that eliminates the compression of the TFE seat seals to ensure the proper standoff of the seal on the seat face. These plates can be used with a special insert for steam valve seat installation, which eliminates damage to the seat face.

Size	Part #
2" Press in Seat Plates	VMISPP20
2 1/2" Press in Seat Plates	VMISPP25
3" Press in Seat Plates	VMISPP30
4" Press in Seat Plates	VMISPP40
7" Press in Seat Plates	VMISPP70

AMMO BOXES



Our ammunition box is made to carry 50 cal. ammunition. They can be used to keep many items clean and dry: tools, choke beans, studs & nuts, paper documents, tie-downs, rope, and more!

Part #
VBCP5000

Features & Options:

- New rugged steel construction
- Sturdy carrying handle
- Heavy duty latch
- Leak resistant seal on lid
- Weight: 5.6 lbs
- Dimensions (L x W x H): 11" x 6" x 7"



#310, 8810 - 15 St

Edmonton, AB | T6P 0B9 | 780.416.4823

GRMFLOW.COM SALES@GRMFLOW.COM