

API Gate Valve Parts

Models F/FC, M & DM



#310, 8810 - 15th Street
Edmonton, Alberta, Canada T6P 0B9
(780) 416-4823 sales@grmflow.com

GATE VALVE PARTS

MODEL F & FC

We offer a large selection of quality Aftermarket API Model F/FC style gate valve replacement parts. Sizes from 2 1/16" to 7 1/16" and pressure ratings from 2,000 to 15,000 PSI. All parts are available in a variety of trim options.



MODEL M

Also available are a line of Aftermarket API Model M style replacement gate valve parts. Sizes from 2 1/16" to 4 1/16" and pressure ratings from 2,000 to 5,000 PSI. All parts are available in a variety of trim options.



MODEL DM

GRM Flow Products can supply a selection of DM style Aftermarket replacement Mud Gate Valve Parts. Sizes from 2" to 4" and pressure ratings from 2,000 to 5,000 PSI. These parts are available in a variety of trim options and are compatible with most other brands of Mud Gate Valves.

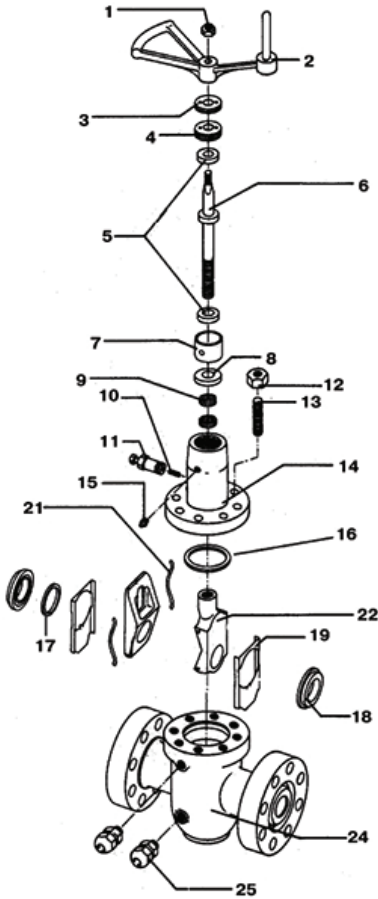


API GATE VALVE PARTS

Model M



2 1/16" - 2 9/16" 2,000 - 5,000 PSI



#	DESCRIPTION	QTY	MATERIAL	2 1/16" PART #	2 9/16" PART #
1	Handwheel Nut	1	-	POR	POR
2	Handwheel	1	-	POR	VWKM5000
3	Bearing Retainer Lock Nut	1	Alloy	VWKM0880	VWKM0880
4	Bearing Retainer Nut	1	Alloy	VWKM0860	VWKM0860
5	Thrust Bearing	2	Alloy	VWKM0820	VWKM0820
6	Stem	1	4130 Nitrided 17-4 SS Nit.	VWKM1660 VWKM1740	VWKM1680 VWKM1760
7	Bearing Spacer Sleeve	1	Alloy	VWKM0850	VWKM0850
8	Packing Retainer Bushing	1	Alloy	VWKM0920	VWKM0920
9	Packing Set	1	Neo/Fabric GF/TFE	VWKM1420 VWKM1340	VWKM1420 VWKM1340
10	Desco 625 Packing	1	-	LP625510	LP625510
11	Packing Injection Fitting	1	1215* CS 316 SS 4140 NACE	FP400510 FP400520 FP400530	FP400510 FP400520 FP400530
12	Stud Nut	8	-	POR	POR
13	Stud	8	-	POR	POR
14	Bonnet	1	-	POR	POR
15	Grease Fitting	1	Alloy	FM100740	FM100740
16	Bonnet Gasket	1	1026 CS 316 SS	VWKM1080 VWKM1160	VWKM1100 VWKM1180
17	Seat Seal	2	Teflon	VWKM1000	VWKM1020
18	**Seat	Press Fit	4130	VWKM1820	VWKM1900
			410 SS Nit.	VWKM2060	VWKM2070
		Slip Fit	4130	VWKM6110	VWKM6115
			410 SS Nit.	VWKM6113	VWKM6116
19	Gate Guide	2	1018 CS 304 SS	VWKM1470 VWKM1475	VWKM1471 VWKM1476
21	Gate Spring	2	Inconel	VWKM2300	VWKM2305
22	Gate	1	4130 Nitrided 410 SS Nit.	VWKM1500 VWKM1640	VWKM1520 VWKM1642
24	Body	1	-	POR	POR
25	Body Grease Fitting	2	1215* CS	FA400510	FA400530
			316 SS	FA400520	FA400520
			4140 NACE	FA400530	FA400530

*or substitute material which meets or exceeds 1215

**indicate #1, #2, #3 or #4 when ordering. Part numbers listed are for #1 size.

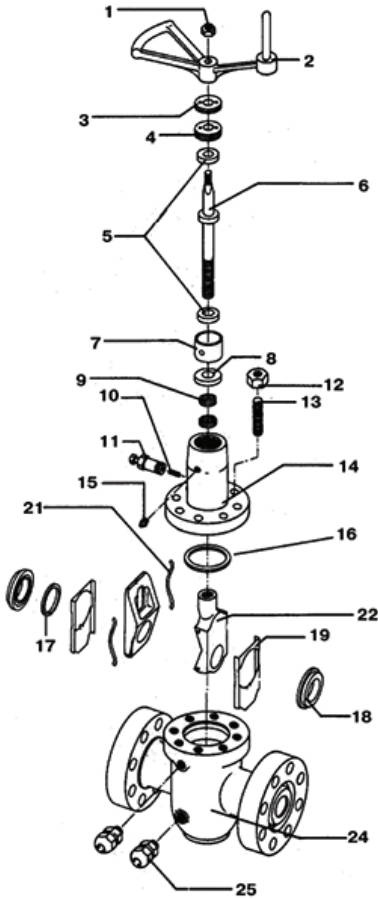
POR = price on request, please call for more info.

API GATE VALVE PARTS

Model M



3 1/8" - 4 1/16" 2,000 - 5,000 PSI



#	DESCRIPTION	QTY	MATERIAL	3 1/8" PART #	4 1/16" PART #
1	Handwheel Nut	1	-	POR	POR
2	Handwheel	1	-	POR	POR
3	Bearing Retainer Lock Nut	1	Alloy	VWKM0890	VWKM0896
4	Bearing Retainer Nut	1	Alloy	VWKM0885	VWKM0895
5	Thrust Bearing	2	Alloy	VWKM0840	VMCE1760
6	Stem	1	4130 Nitrided	VWKM1700	VWKM1720
			17-4 SS Nit.	VWKM1780	VWKM1790
7	Bearing Spacer Sleeve	1	Alloy	VWKM0855	VWKM0850
8	Packing Retainer Bushing	1	Alloy	VWKM0925	VWKM0920
9	Packing Set	1	Neo/Fabric	VWKM1440	VWKM1460
			GF/TFE	VWKM1380	VWKM1465
10	Desco 625 Packing	1	-	LP625510	LP625510
11	Packing Injection Fitting	1	1215* CS	FP400510	FP400510
			316 SS	FP400520	FP400520
			4140 NACE	FP400530	FP400530
12	Stud Nut	8	-	POR	POR
13	Stud	8	-	POR	POR
14	Bonnet	1	-	POR	POR
15	Grease Fitting	1	Alloy	FM100740	FM100740
16	Bonnet Gasket	1	1026 CS	VWKM1120	VWKM1140
			316 SS	VWKM1200	VWKM1220
17	Seat Seal	2	Teflon	VWKM1040	VWKM1060
18	**Seat	2	4130	VWKM1980	VWKM2050
	Press Fit		410 SS Nit.	VWKM2080	VWKM2088
	Slip Fit		4130	VWKM6120	VWKM6140
			410 SS Nit.	VWKM6130	VWKM6145
19	Gate Guide	2	1018 CS	VWKM1472	VWKM1473
			304 SS	VWKM1477	VWKM1478
21	Gate Spring	2	Inconel	VWKM2310	VWKM2315
22	Gate	1	4130 Nitrided	VWKM1540	VWKM1560
			410 SS Nit.	VWKM1644	VWKM1646
24	Body	1	-	POR	POR
25	Body Grease Fitting	2	1215* CS	FA400510	FA400510
			316 SS	FA400520	FA400520
			4140 NACE	FA400530	FA400530

*or substitute material which meets or exceeds 1215

**indicate #1, #2, #3 or #4 when ordering. Part numbers listed are for #1 size.

POR = price on request, please call for more info.